

see the light

ABOUT PABLO DESIGNS

Pablo's designs have been propelled to the forefront of American contemporary lighting by an uncompromising devotion to simplicity and utility. By fusing the highest technical sensibilities with the most appropriate material palette, Pablo is able to create unique, timeless designs with the power to transform any environment. Pablo was founded in San Francisco in 1993 by Venezuelan born industrial designer Pablo Pardo. Embracing a less-is-more ideology, Pablo frequently challenges traditional design metaphors, developing more practical solutions distilled down to their essence, form and light. A common thread links all of its creations, valuing permanence and sustainability, discarding the disposable mindset so prevalent today. Its mission is to create designs that deepen the relationship between objects, their users, and their environments.

FOUNDER / CREATIVE DIRECTOR

Pablo Pardo

With the creation of his first product in 1993, Pablo established a powerful and generative design philosophy. Since then, his core principles have informed the development of every light in the studio's 20-year history. These products continue to move with culture while withstanding trends in design and each one carries the underlying uniqueness that is distinctly "Pablo."



DESIGN COLLABORATIONS



John August

Located in San Francisco, August is a furniture and product designer. As an accomplished craftsman and machinist he employs a hands-on approach to the design and engineering of objects, always in pursuit of the space between art and function. Equally at home with traditional hand tools, 3D modeling software, or advanced CNC machinery, August explores the stillpoint between the deep soul of the hand-made with the precision of quality mass-production.



Dana Cannam

Since establishing his studio in Rotterdam, Cannam's work has been showcased during the Milan and the Dutch Design Weeks, at the International Contemporary Furniture Fair in New York, the International Design Show in Toronto and other international exhibitions. His Pablo collection piece, Clamp, won the Red Dot Award in 2012. Cannam holds a BA from the University of Alberta's industrial design program and a master's degree in social design from the Design Academy in Eindhoven, The Netherlands.



Carmine Deganello

Based in Amsterdam and Milan, Deganello's creative process begins with materiality and an empirical approach that is highly experimental. Research on materials and the ways in which they can unexpectedly drive the productive process is essential to his work. His lamp, Solis, is a product of Carmine's shared sensibilities and long-term collaboration with Pablo. Deganello has worked extensively in Europe as well as the United States, his projects have been presented, among others, at the Triennale Design Museum as part of the New Italian Design collection and at the MAK Museum for applied and contemporary art in Vienna. He is a graduate of Florence's Instituto Superiore per la Industrie Artistiche.



Fernando Pardo

Since lending his craftsmanship to companies such as Sony, Dell, Embraer, Compaq, Pablo, BMW, and others, Pardo has been internationally recognized as a leading design thinker. His "Gina" car for BMW won the "Concept Car of the Year" award in 2008, and, in addition to being showcased in the BMW Museum in Munich, continues to serve as the foundation for the company's contemporary auto designs. Most recently Pardo received a 2012 Red Dot Award for his lamp, PIXO, which he created with his twin brother, Pablo founder Pablo Pardo. Fernando is a graduate of the design program at the University of Cincinnati.



Peter Stathis

Fascinated by the social and cultural dimensions of objects, Stathis' work seeks to foster meaningful relationships through today's sophisticated, mass-produced environment. He executes this goal by working in both the high-minded and popular realms, having designed for brands ranging from the Museum of Modern Art to Lava Lite. Stathis' original 2006 Tube Top lamp represents one of several contributions to Pablo.



Pablo Studio

The Pablo Studio is a small group of makers and inventors with a diverse background in industrial design and craft, and a deep understanding of manufacturing, materials and technology. They aim to foster a sense of discovery and deeply personal utility in people's interaction with objects. In beginning a new project, the team isolates a concept, meticulously refines it, and then reduces it to its central principle. The studio requires each design element to contribute to the essence of an object, following the Pablo philosophy of "less is more." Pablo Studio works together to develop products that offer people unique experiences and broaden the field of lighting design.

PRODUCT FAMILIES



BRAZO
6-11



CIELO
12-17



LINK
60-65



PIXO
66-71



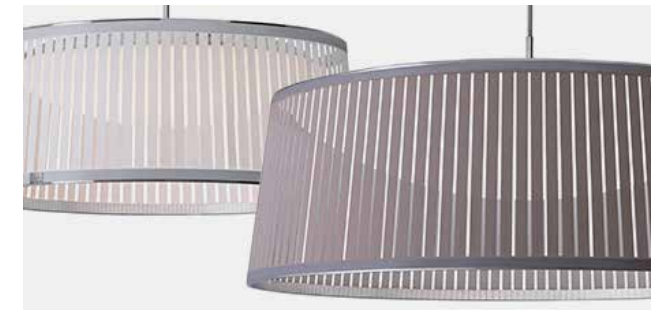
CIRCA
18-31



CLAMP
32-37



SOLIS
72-77



SOLIS DRUM
78-81



CONTOUR
38-43



GIRAFFA
44-47



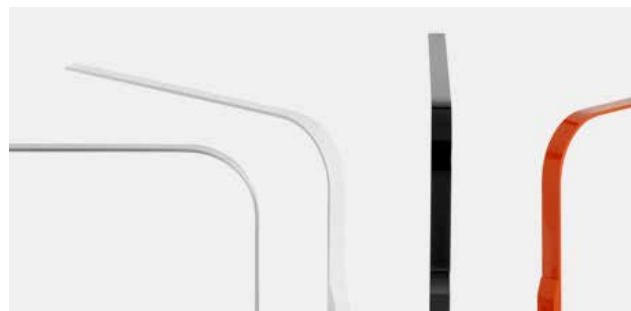
SUPERLIGHT
82-87



SWELL
88-93



LANA
48-55



LIM
56-59



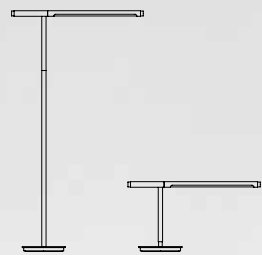
UMA
94-99

BRAZO

Fusing breakthrough LED technology with a uniquely tactile and calibrated light control experience, Brazo is an intelligent, precise and effortlessly adjustable task lamp. A user can tune it to any beam spread, brightness and direction, controlling the volume and focus of light. The aluminum shade on the lamp's arm enables much of this adjustability, enabling the user to fluidly dial it around the light source to guide the beam in any direction. Although suitable for any environment, the versatility and 360° adjustability offered in its minimal frame makes Brazo ideal for use in work environments. Brazo transforms from table to floor model with a simple extension post and ships flat-packed for easy transport.

Designer:
Pablo Pardo 2007/2008

Awards:
2008 IDEA Gold Award
2007 Best of Neocon Gold



BRAZO TABLE

DESCRIPTION

Brazo's precision machined aluminum construction allows for optimal task lighting control with 360° adjustability and 90° tilt. Brazo features a luminous and energy-efficient LED light source which can be dialed to any desired beam-spread and brightness depending on the task.

FIXTURE TYPE

Table

LIGHT SOURCE

(108x) High output LED array

PRODUCT CODES

| | |
|-----------------------|-----------------|
| Brazo Table (Silver): | BRAZ TBL SLV_EU |
| Brazo Table (Black): | BRAZ TBL BLK_EU |

LIGHT CONTROL

Full range dim (rotary dimmer)

FEATURES

- 360° arm rotation
- 90° arm tilt
- Calibrated light focus control
- Height adjustable
- Advanced LED array eliminates multiple shadows
- Ships flat-packed
- 97% recyclable

SPECIFICATIONS

- Voltage: 120/220V 60Hz
- Power Consumption: 9W
- Color temperature: 3000K
- Luminosity: 400 Lumens
- Luminaire efficacy: 43 Lumens/Watt
- Color Rendition Index: 85 CRI
- Title 20 compliant
- 50K hour lifespan
- Cord length: 8' (244cm)
- Global multi-plug adapter available
- 2 year warranty

CERTIFICATIONS



PACKAGING WEIGHT AND DIMENSIONS

| | | |
|--------------|---------|--------------------|
| BRAZO TABLE: | 14.2LBS | 39" X 11" X 5" |
| | 6.4KGS | 99cm X 28cm X 13cm |

NOTES

Custom requests can be considered on volume orders
Additional colorways can be ordered upon request

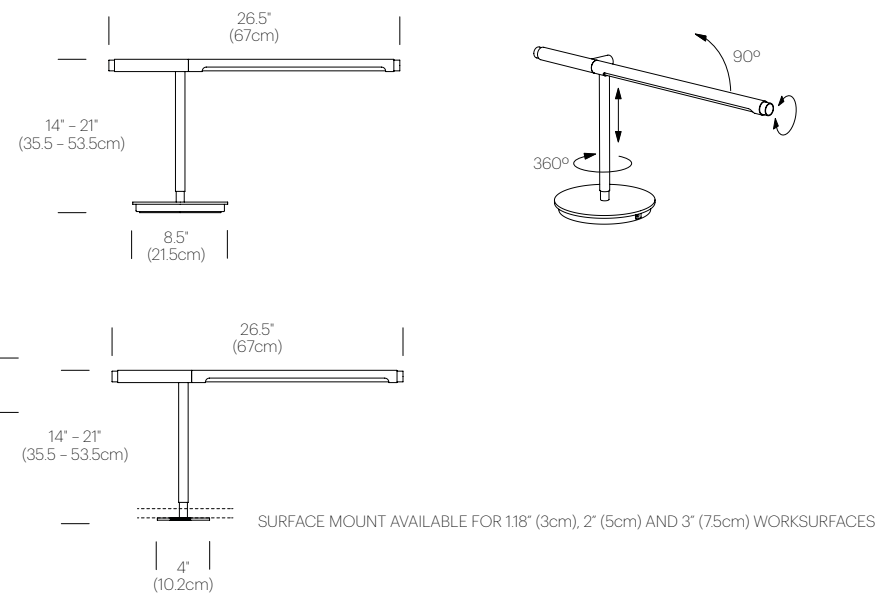


FINISHES



DIMENSIONS

BRAZO TABLE



BRAZO FLOOR

DESCRIPTION

Brazo's precision machined aluminum construction allows for optimal task lighting control with 360° adjustability and 90° tilt. Brazo features a luminous and energy-efficient LED light source which can be dialed to any desired beam-spread and brightness depending on the task.

FIXTURE TYPE

Floor

LIGHT SOURCE

(108x) High output LED array

PRODUCT CODES

| | |
|-----------------------|-----------------|
| Brazo Floor (Silver): | BRAZ FLR SLV_EU |
| Brazo Floor (Black): | BRAZ FLR BLK_EU |

LIGHT CONTROL

Full range dim (rotary dimmer)

FEATURES

- 360° arm rotation
- 90° arm tilt
- Calibrated light focus control
- Height adjustable
- Advanced LED array eliminates multiple shadows
- Ships flat-packed
- 97% recyclable

SPECIFICATIONS

- Voltage: 120/220V 60Hz
- Power Consumption: 9W
- Color temperature: 3000K
- Luminosity: 400 Lumens
- Luminaire efficacy: 44 Lumens/Watt
- Color Rendition Index: 85 CRI
- Title 20 compliant
- 50K hour lifespan
- Cord length: 8' (244cm)
- Global multi-plug adapter available
- 2 year warranty

CERTIFICATIONS

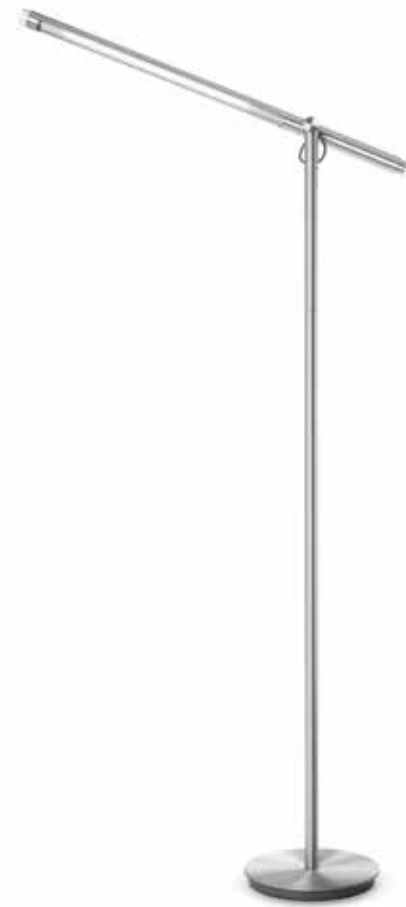


PACKAGING WEIGHT AND DIMENSIONS

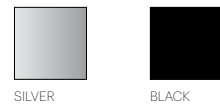
| | | |
|--------------|----------|--------------------|
| BRAZO FLOOR: | 15.55LBS | 39" X 11" X 5" |
| | 7.1KGS | 99cm X 28cm X 13cm |

NOTES

Custom requests can be considered on volume orders
Additional colorways can be ordered upon request



FINISHES

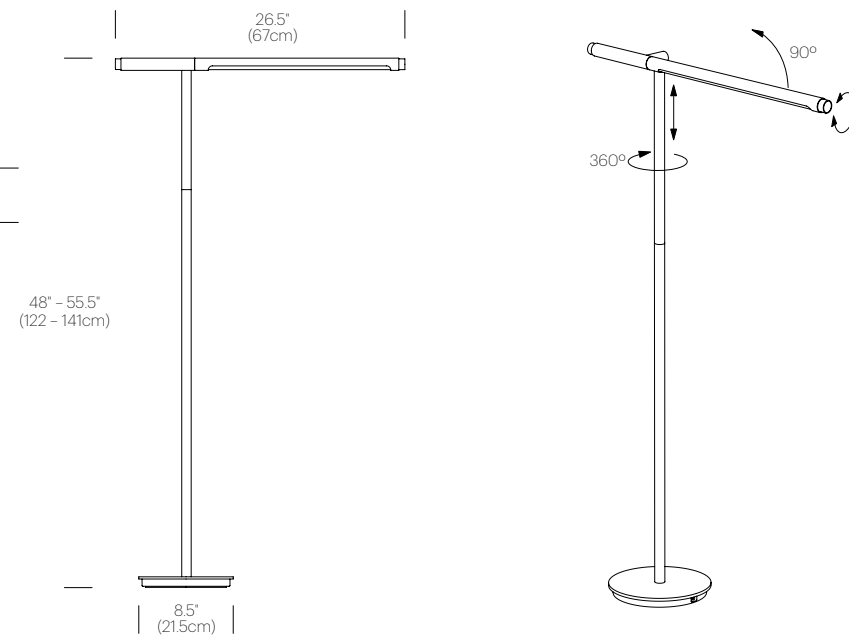


SILVER

BLACK

DIMENSIONS

BRAZO FLOOR



CIELO

Through its minimal form and glare-free, flat panel LED technology, Cielo enables light to act as its expressive element and defining feature. Its finish palate also works to this end, underscoring the lamp's simple structure and exalting its light. Cielo's classic shape integrates into any environment, regardless of style, and it can be suspended individually, in a series or as a chandelier to provide warm and balanced illumination. The larger the grouping, the bolder the display. Cielo offers a full dimming range and is composed of energy efficient LEDs rated for up to 50K hours.

Designer:
Pablo Studio 2012



CIELO PENDANT

DESCRIPTION

Cielo is an LED suspension light that provides perfectly balanced and warm illumination in a simple and expressive silhouette. Cielo can be suspended individually, in a series, or as a chandelier to accent any residential or hospitality setting. Cielo features a fully dimmable and energy efficient flat panel technology that is rated for up to a 50K hour lifespan.

FIXTURE TYPE

Pendant

LIGHT SOURCE

LED Flat-Panel

PRODUCT CODES

Cielo (White/White): CIEL WHT/WHT/WHT_EU
 Cielo (Black/Black): CIEL BLK/BLK_EU
 Cielo (Satin Aluminum/Gray): CIEL STN AL/GRY_EU

LIGHT CONTROL

Hard-wired (Triac transformer)
 ELV dimmer recommended

FEATURES

Energy efficient flat panel technology
 Full-range dim
 Available in multiple color combinations
 Glare-free illumination

SPECIFICATIONS

Voltage: 120/220V 60Hz
 Power Consumption: 8W
 Color temperature: 3000K
 Luminosity: 380 Lumens
 Luminaire efficacy: 48 Lumens/Watt
 Color Rendition Index: 85 CRI
 Title 20 compliant
 50K hour lifespan
 Cord length: 10' (305cm) (Field Cuttable)
 2 year warranty

CERTIFICATIONS



PACKAGING WEIGHT AND DIMENSIONS

Cielo: 3.65LBS 11" X 7.5" X 7.5"
 1.7KGS 28cm X 19cm X 19cm

NOTES

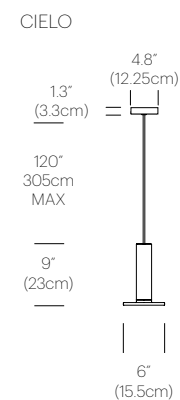
Custom requests can be considered on volume orders
 Additional colorways can be ordered upon request



FINISHES



DIMENSIONS



CIELO CHANDELIER

DESCRIPTION

Cielo chandelier's grouping of LED pendants provides perfectly balanced and warm illumination in a simple and expressive silhouette. Cielo Chandelier is available in 3, 5, 7 and 13 Cielo pendant configurations to accent any residential, commercial or hospitality setting. Cielo features a fully dimmable and energy efficient flat panel technology that is rated for up to a 50K hour lifespan.

FIXTURE TYPE

Pendant

LIGHT SOURCE

LED Flat-Panel

PRODUCT CODES

| | |
|------------------------------|---------------------|
| Cielo (White/White): | CIEL WHT/WHT/WHT_EU |
| Cielo (Black/Black): | CIEL BLK/BLK_EU |
| Cielo (Satin Aluminum/Gray): | CIEL STN AL/GRY_EU |
| Cielo Chandelier (3/5/7): | CIEL CHND 3/5/7_EU |
| Cielo Chandelier (13): | CIEL CHND 13_EU |

LIGHT CONTROL

Hard-wired (Triac transformer)
ELV dimmer recommended

FEATURES

Energy efficient flat panel technology
Full-range dim
Available in multiple color combinations
Glare-free illumination

SPECIFICATIONS

Voltage: 120/220V 60Hz
Power Consumption: 8W per lamp
Color temperature: 3000K
Luminosity: 380 Lumens
Luminaire efficacy: 48 Lumens/Watt
Color Rendition Index: 85 CRI
Title 20 compliant
50K hour lifespan
Cord length: 10' (305cm) (Field Cuttable)
2 year warranty

CERTIFICATIONS



PACKAGING WEIGHT AND DIMENSIONS

| | | |
|------------------------|---------|--------------------|
| Cielo: | 3.65LBS | 11" X 7.5" X 7.5" |
| | 1.7KGS | 28cm X 19cm X 19cm |
| Chandelier canopy 17": | 15LBS | 22" X 22" X 6" |
| | 6.8KGS | 56cm X 56cm X 15cm |
| Chandelier canopy 26": | 30LBS | 32" X 32" X 6" |
| | 13.6KGS | 81cm X 81cm X 15cm |

NOTES

Custom requests can be considered on volume orders
Additional colorways can be ordered upon request



FINISHES

CIELO LAMP



WHITE/
WHITE/
WHITE CORD



BLACK/
BLACK/
BLACK CORD



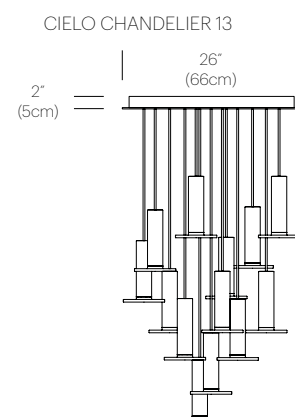
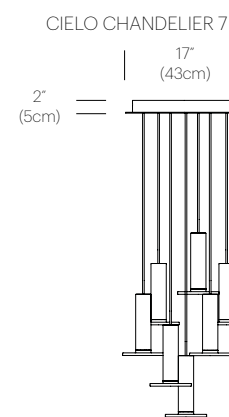
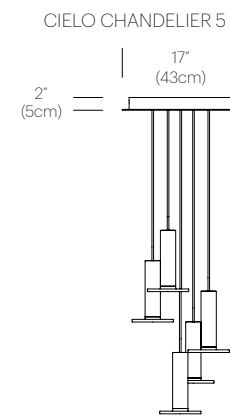
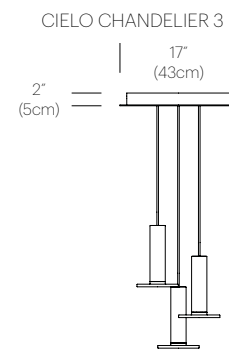
SATIN ALUMINUM/
GRAY CORD

CIELO CANOPY

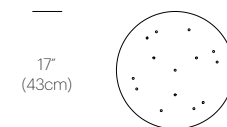


WHITE

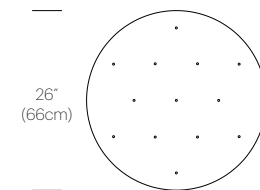
DIMENSIONS



CIELO CHANDELIER CANOPY 3, 5, 7



CIELO CHANDELIER CANOPY 13

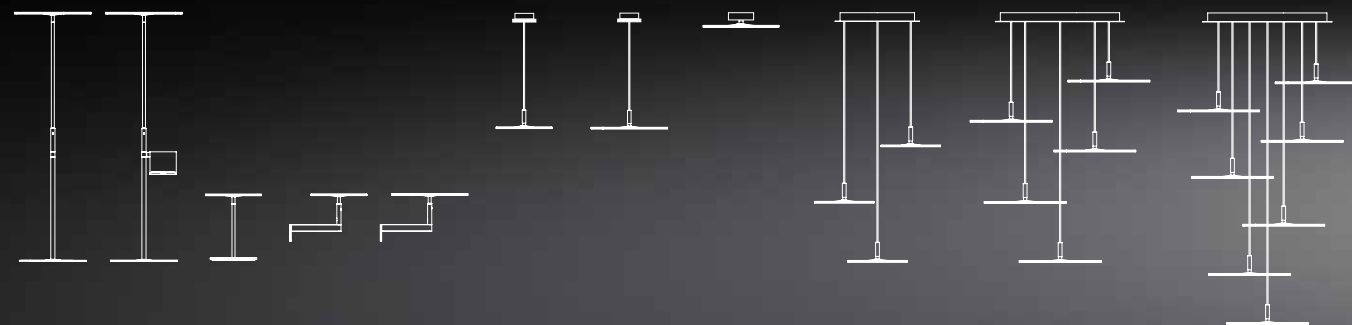


CIRCA

In designing Circa, the Pablo Studio designers wanted to create a product that was revolutionary yet familiar. They not only created a new lamp, but also a new archetype for indoor lighting – one that blurs the boundary between the utilitarian work lamp and traditional shaded lamp. Circa's defining feature is a flat-panel LED disc that moves fluidly above its axis point. This mobility allows the lamp to assume an infinite number of positions while functioning as a task lamp that provides balanced, ambient light. Circa also supports a user's mobile devices by integrating a USB charging port on the table, floor and wall models.

Designer:
Pablo Studio 2013

Awards:
2013 NY NOW Excellence in Product Design



CIRCA TABLE

DESCRIPTION

Circa's revolutionary flat-panel LED light source combines seamless movement with warm and balanced illumination. Through its integrated USB charging port, 45° shade tilt and 360° rotation, Circa redefines the ambient lighting category. Circa is available in a wide range of models to satisfy all residential, office and hospitality applications.

FIXTURE TYPE

Table

LIGHT SOURCE

LED Flat-Panel

PRODUCT CODES

Circa Table Graphite: CIRC TBL GPT_EU

Circa Table White: CIRC TBL WHT_EU

LIGHT CONTROL

Optical Switch (4-stage control. 100%, 50%, 15%, off)

FEATURES

360° shade rotation
45° shade tilt in two directions
USB charging port
Ships flat-packed

SPECIFICATIONS

Voltage: 120/220V 60Hz
Power Consumption: 8.7W
Color temperature: 2700K
Luminosity: 465 Lumens
Luminaire efficacy: 53 Lumens/Watt
Color Rendition Index: 85 CRI
ADA compliant
Title 20 compliant
50K hour lifespan
Cord length: 8' (244cm)
Global multi-plug adapter available
2 year warranty

CERTIFICATIONS



PACKAGING WEIGHT AND DIMENSIONS

Circa Table : 8.45LBS 15" X 14" X 4"
3.8KGS 38cm X 36cm X 10cm

NOTES

Custom requests can be considered on volume orders

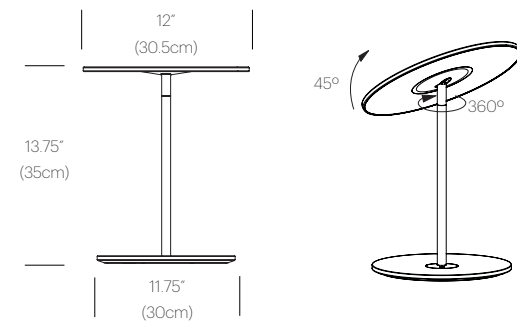


FINISHES



DIMENSIONS

CIRCA TABLE



CIRCA FLOOR

DESCRIPTION

Circa's revolutionary flat-panel LED light source combines seamless movement with warm and balanced illumination. Through its integrated USB charging port, 45° shade tilt and 360° rotation, Circa redefines the ambient lighting category. Circa is available in a wide range of models to satisfy all residential, office and hospitality applications.

FIXTURE TYPE

Floor

LIGHT SOURCE

LED Flat-Panel

PRODUCT CODES

| | |
|------------------------------|---------------------|
| Circa Floor (Graphite): | CIRC FLR GPT_EU |
| Circa Floor (White): | CIRC FLR WHT_EU |
| Circa Floor+Ped. (Graphite): | CIRC FLR PED GPT_EU |
| Circa Floor+Ped. (White): | CIRC FLR PED WHT_EU |

LIGHT CONTROL

Optical Switch (4-stage control. 100%, 50%, 15%, off)

FEATURES

- 360° shade rotation
- 45° shade tilt in two directions
- USB charging port
- Ships flat-packed

SPECIFICATIONS

- Voltage: 120/220V 60Hz
- Power Consumption: 11.5W
- Color temperature: 2700K
- Luminosity: 551 Lumens
- Luminaire efficacy: 48 Lumens/Watt
- Color Rendition Index: 85 CRI
- ADA compliant
- Title 20 compliant
- 50K hour lifespan
- Cord length: 8' (244cm)
- Global multi-plug adapter available
- 2 year warranty

CERTIFICATIONS



PACKAGING WEIGHT AND DIMENSIONS

| | | |
|-----------------------|---------|-------------------|
| Circa Floor: | 21.9LBS | 29" X 18" X 3.5" |
| | 9.9KGS | 74cm X 46cm X 9cm |
| Circa Floor Pedestal: | 2.85LBS | 11" X 11" X 3" |
| | 1.3KGS | 28cm X 28cm X 8cm |

NOTES

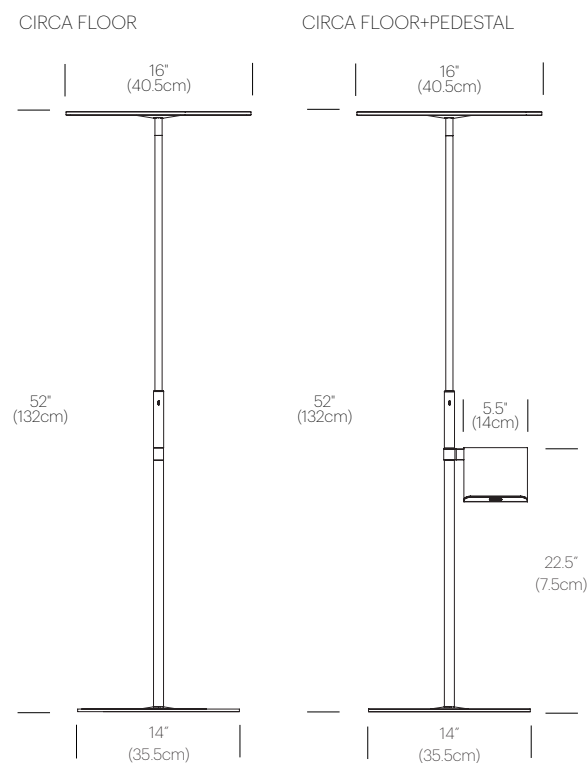
Custom requests can be considered on volume orders



FINISHES



DIMENSIONS



CIRCA WALL

DESCRIPTION

Circa's revolutionary flat-panel LED light source combines seamless movement with warm and balanced illumination. Through its integrated USB charging port, 45° shade tilt and 360° rotation, Circa redefines the ambient lighting category. Circa is available in a wide range of models to satisfy all residential, office and hospitality applications.

FIXTURE TYPE

Wall

LIGHT SOURCE

LED Flat-Panel

PRODUCT CODES

| | |
|-------------------------|--------------------|
| Circa Wall 12 Graphite: | CIRC WAL 12 GPT_EU |
| Circa Wall 12 White: | CIRC WAL 12 WHT_EU |
| Circa Wall 16 Graphite: | CIRC WAL 16 GPT_EU |
| Circa Wall 16 White: | CIRC WAL 16 WHT_EU |

LIGHT CONTROL

Optical Switch (4-stage control. 100%, 50%, 15%, off)

FEATURES

- 360° shade rotation
- 45° shade tilt in two directions
- USB charging port
- Ships flat-packed

SPECIFICATIONS

- Voltage: 120/220V 60Hz
- Power Consumption: 8.7W (12) 10.8W (16)
- Color temperature: 2700K
- Luminosity: 465 Lumens (12) 549 Lumens (16)
- Luminaire efficacy: 53 Lumens/Watt (12) 51 L/W (16)
- Color Rendition Index: 85 CRI
- ADA compliant
- Title 20 compliant
- 50K hour lifespan
- Cord length: 8' (244cm) (Field Cuttable)
- Global multi-plug adapter available
- 2 year warranty

CERTIFICATIONS



PACKAGING WEIGHT AND DIMENSIONS

| | | |
|-----------------|---------|--------------------|
| Circa Wall 12: | 5.75LBS | 15" X 14" X 4" |
| | 2.6KGS | 38cm X 36cm X 10cm |
| Circa Wall 16 : | 9.05LBS | 18.5" X 18" X 4" |
| | 4.1KGS | 47cm X 46cm X 10cm |

NOTES

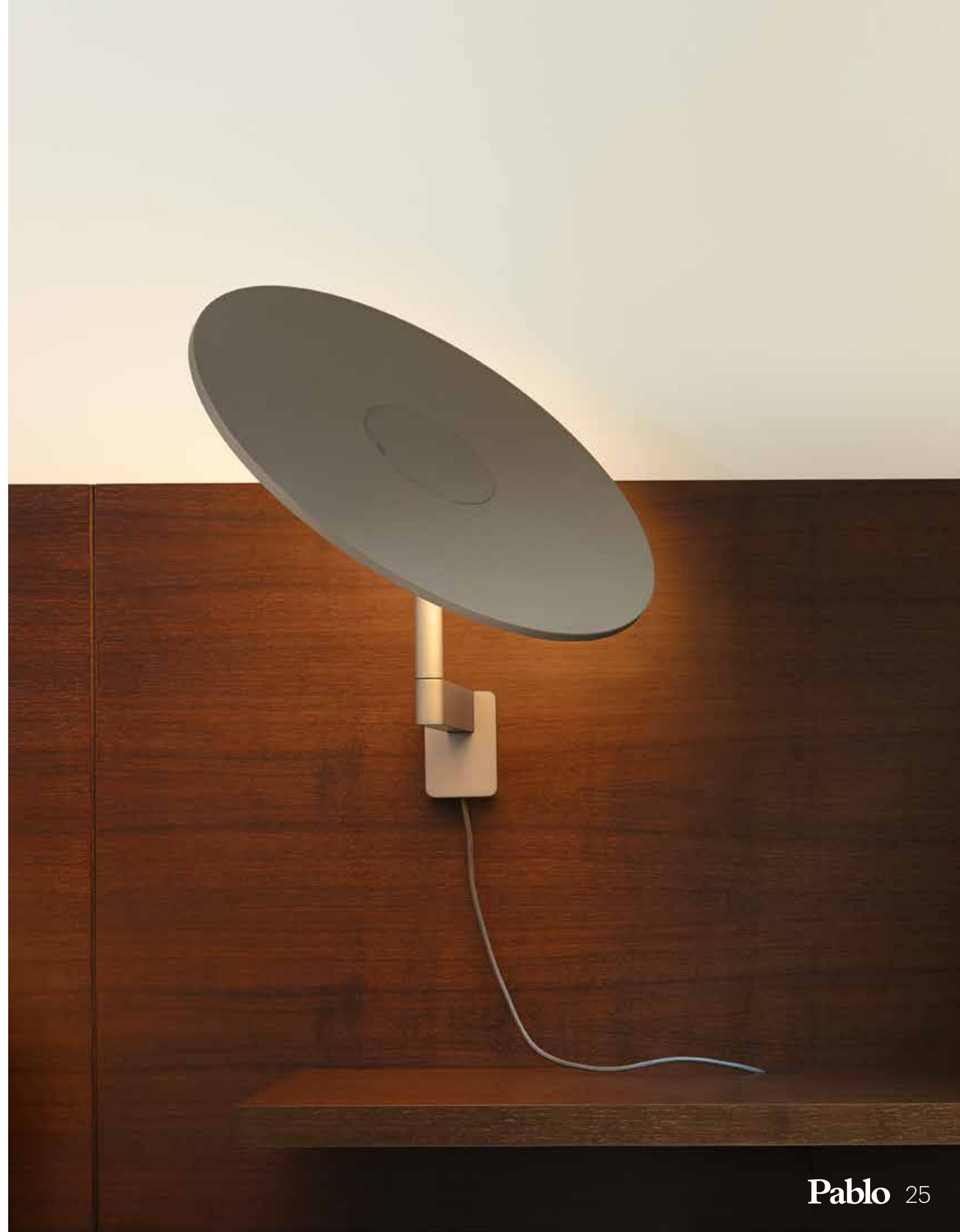
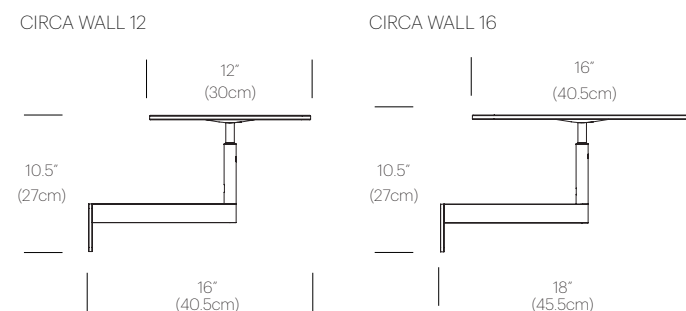
Custom requests can be considered on volume orders



FINISHES



DIMENSIONS



CIRCA FLUSH

DESCRIPTION

Circa's revolutionary flat-panel LED light source combines seamless movement with warm and balanced illumination. Circa is available in a wide range of models to satisfy all residential, office and hospitality applications.

FIXTURE TYPE

Wall/Ceiling

LIGHT SOURCE

LED Flat-Panel

PRODUCT CODES

Circa Flush 12 Graphite: CIRC FSH 12 GPT_EU

Circa Flush 16 White: CIRC FSH 16 WHT_EU

LIGHT CONTROL

Hard Wired (Triac transformer)

ELV dimmer recommended

FEATURES

Ships flat-packed

SPECIFICATIONS

Voltage: 120/220V 60Hz

Power Consumption: 10.5W

Color temperature: 2700K

Luminosity: 556 Lumens

Luminaire efficacy: 53 Lumens/Watt

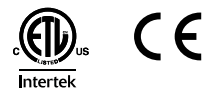
Color Rendition Index: 85 CRI

Title 20 compliant

50K hour lifespan

2 year warranty

CERTIFICATIONS

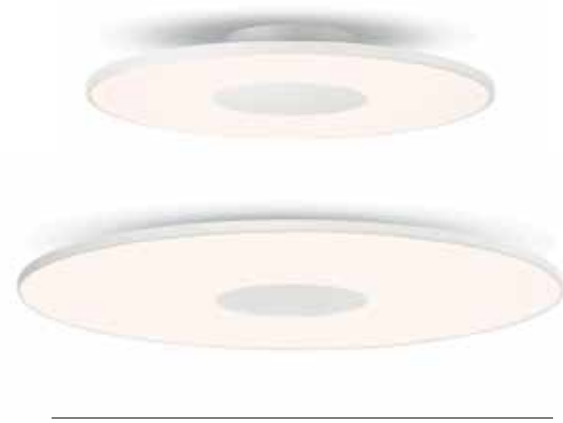


PACKAGING WEIGHT AND DIMENSIONS

| | | |
|------------------|---------|--------------------|
| Circa Flush 12: | 5.75LBS | 15" X 14" X 4" |
| | 2.6KGS | 38cm X 36cm X 10cm |
| Circa Flush 16 : | 9.05LBS | 18.5" X 18" X 4" |
| | 4.1KGS | 47cm X 46cm X 10cm |

NOTES

Custom requests can be considered on volume orders

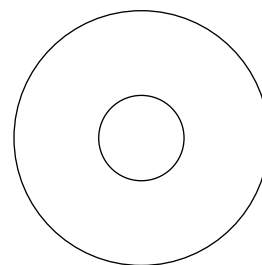
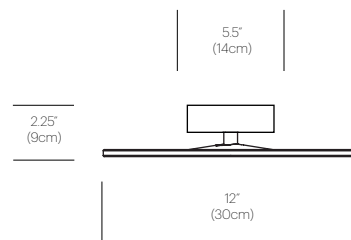


FINISHES

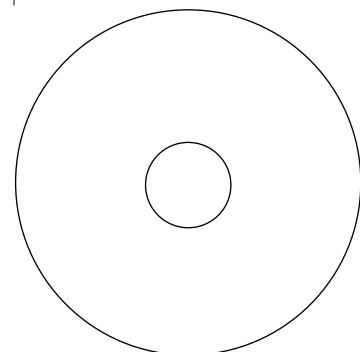
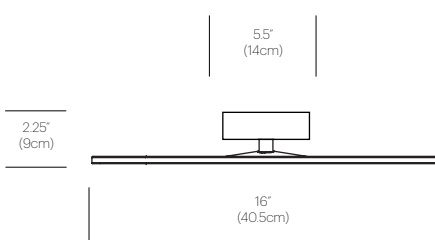


DIMENSIONS

CIRCA FLUSH 12



CIRCA FLUSH 16



CIRCA FLUSH DIRECT



CIRCA FLUSH INDIRECT

CIRCA PENDANT

DESCRIPTION

Circa's revolutionary flat-panel LED light source combines seamless movement with warm and balanced illumination. Through its 45° shade tilt and 360° rotation, Circa redefines the ambient lighting category. Circa is available in a wide range of models to satisfy all residential, office and hospitality applications.

FIXTURE TYPE

Pendant

LIGHT SOURCE

LED Flat-Panel

PRODUCT CODES

Circa Pendant 12 Graphite: CIRC PND 12 GPT_EU

Circa Pendant 12 White: CIRC PND 12 WHT_EU

Circa Pendant 16 Graphite: CIRC PND 16 GPT_EU

Circa Pendant 16 White: CIRC PND 16 WHT_EU

LIGHT CONTROL

Hard wired (Triac transformer)
ELV dimmer recommended

FEATURES

360° shade rotation
45° shade tilt in two directions
Ships flat-packed

SPECIFICATIONS

Voltage: 120/220V 60Hz
Power Consumption: 10.5W
Color temperature: 2700K
Luminosity: 553 Lumens
Luminaire efficacy: 53 Lumens/Watt
Color Rendition Index: 85 CRI
Title 20 compliant
50K hour lifespan
Cord length: 10' (305cm) (Field Cuttable)
2 year warranty

CERTIFICATIONS



PACKAGING WEIGHT AND DIMENSIONS

| | | |
|-------------------|---------|--------------------|
| Circa Pendant 12: | 5.75LBS | 15" X 14" X 4" |
| | 2.6KGS | 38cm X 36cm X 10cm |
| Circa Pendant 16: | 9.05LBS | 18.5" X 18" X 4" |
| | 4.1KGS | 47cm X 46cm X 10cm |

NOTES

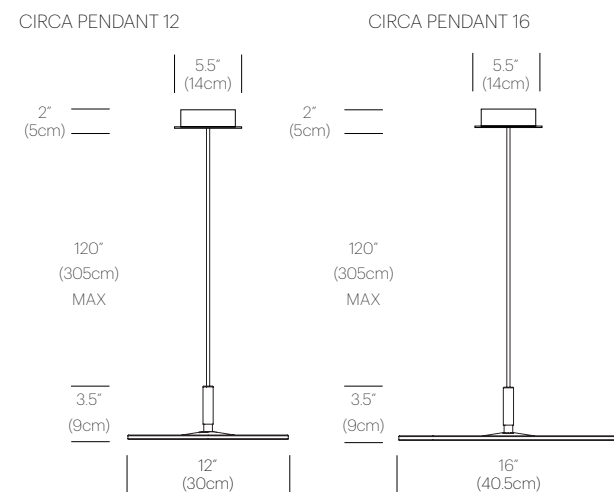
Custom requests can be considered on volume orders



FINISHES



DIMENSIONS



CIRCA CHANDELIER

DESCRIPTION

Circa's revolutionary flat-panel LED light source combines seamless movement with warm and balanced illumination. Through its 45° shade tilt and 360° rotation, Circa redefines the ambient lighting category. Circa Chandelier is available in 3, 5, and 7 lamp configurations to fit a wide range of commercial and residential environments.

FIXTURE TYPE

Pendant

LIGHT SOURCE

LED Flat-Panel

PRODUCT CODES

Circa Pendant 12 Graphite: CIRC PND 12 GPT_EU

Circa Pendant 12 White: CIRC PND 12 WHT_EU

Circa Pendant 16 Graphite: CIRC PND 16 GPT_EU

Circa Pendant 16 White: CIRC PND 16 WHT_EU

17" Chandelier Canopy: CHND CAN 17_EU

26" Chandelier Canopy: CHND CAN 26_EU

LIGHT CONTROL

Hard wired (Triac transformer)

ELV dimmer recommended

FEATURES

360° shade rotation

45° shade tilt in two directions

Ships flat-packed

SPECIFICATIONS

Voltage: 120/220V 60Hz

Power Consumption: 10.5W per lamp

Color temperature: 2700K

Luminosity: 553 Lumens per lamp

Luminaire efficacy: 53 Lumens/Watt

Color Rendition Index: 85 CRI

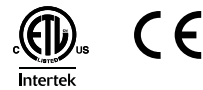
Title 20 compliant

50K hour lifespan

Cord length: 10' (305cm) (Field Cuttable)

2 year warranty

CERTIFICATIONS



PACKAGING WEIGHT AND DIMENSIONS

| | | |
|------------------------|---------|--------------------|
| Circa Pendant 12: | 5.75LBS | 15" X 14" X 4" |
| | 2.6KGS | 38cm X 36cm X 10cm |
| Circa Pendant 16 : | 9.05LBS | 18.5" X 18" X 4" |
| | 4.1KGS | 47cm X 46cm X 10cm |
| Chandelier canopy 17": | 15LBS | 22" X 22" X 6" |
| | 6.8KGS | 56cm X 56cm X 15cm |
| Chandelier canopy 26": | 30LBS | 32" X 32" X 6" |
| | 13.6KGS | 81cm X 81cm X 15cm |

NOTES

Custom requests can be considered on volume orders

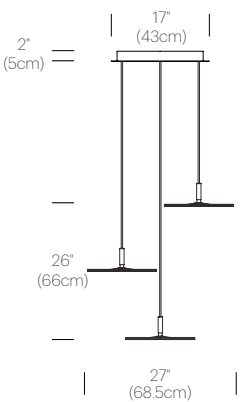


FINISHES

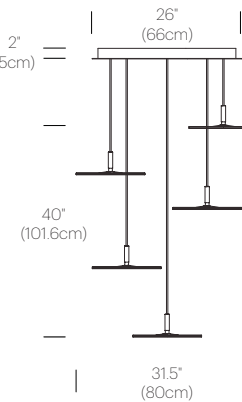


DIMENSIONS

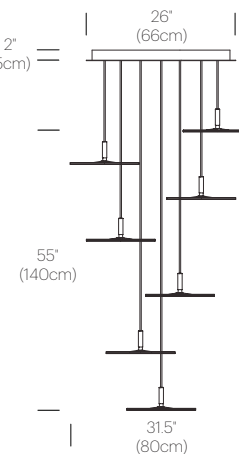
CIRCA CHANDELIER 3 (12")



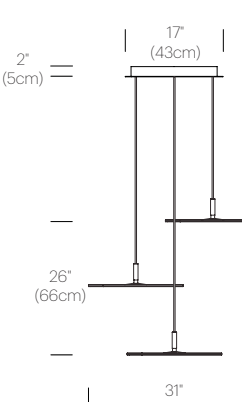
CIRCA CHANDELIER 5 (12")



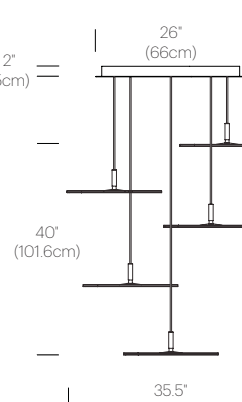
CIRCA CHANDELIER 7 (12")



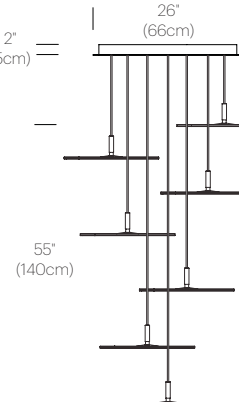
CIRCA CHANDELIER 3 (16")



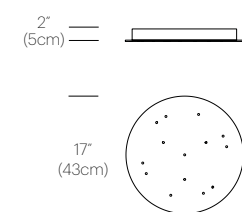
CIRCA CHANDELIER 5 (16")



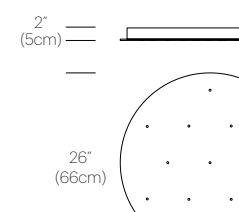
CIRCA CHANDELIER 5 (16")



CHANDELIER CANOPY 17"



CHANDELIER CANOPY 26"

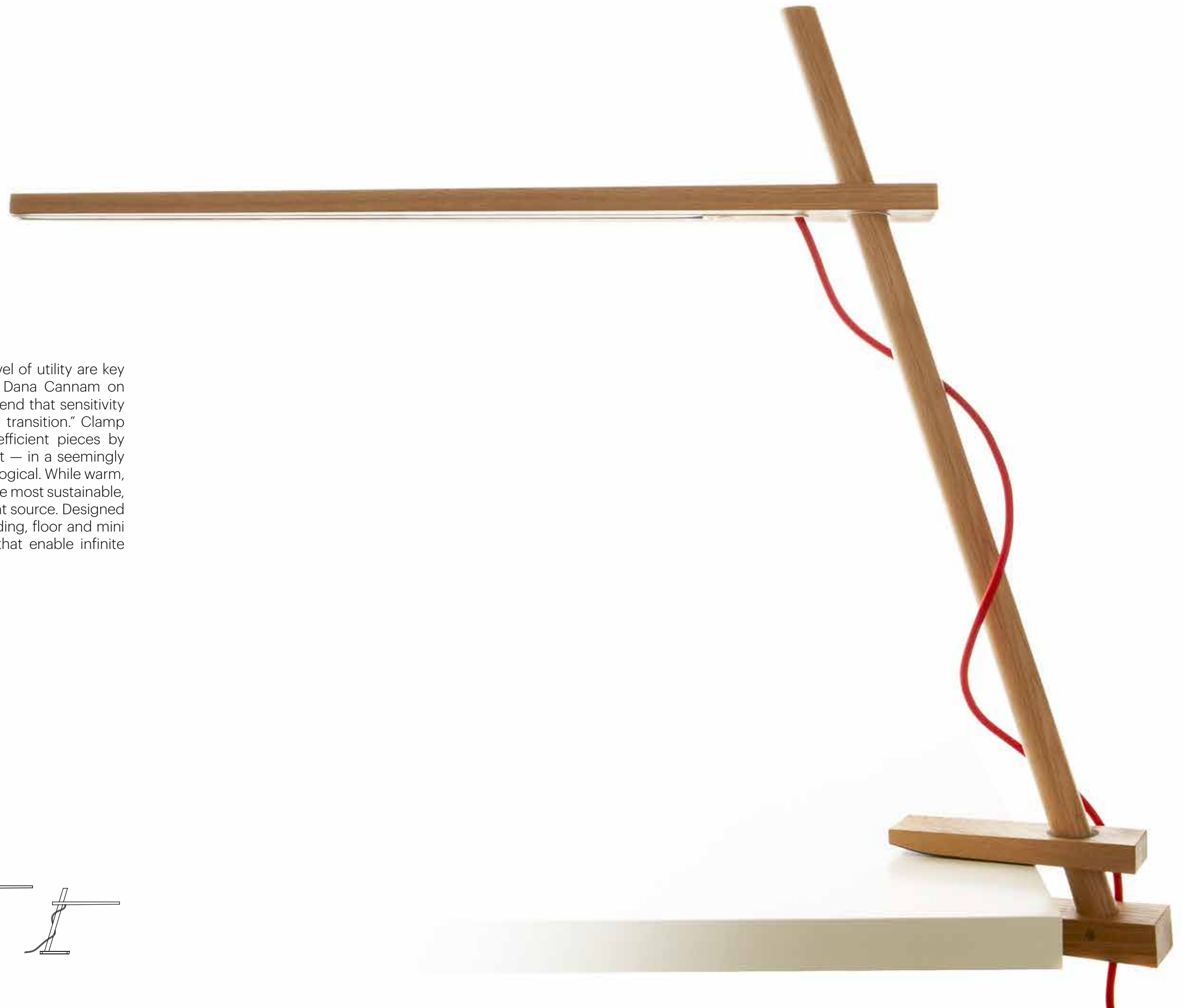
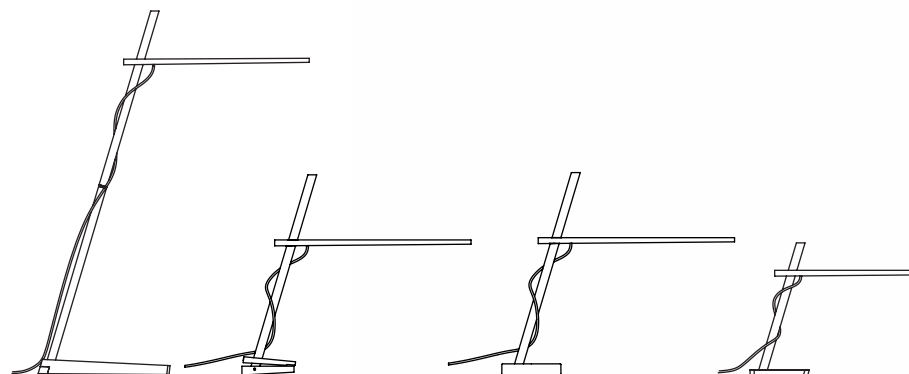


CLAMP

“Understated beauty and an uncompromising level of utility are key to the Pablo design philosophy,” says designer Dana Cannam on his inspiration for Clamp. “The opportunity to extend that sensitivity to a material as essential as wood was a natural transition.” Clamp continues Pablo’s tradition of offering simple, efficient pieces by combining two basic elements — wood and light — in a seemingly oppositional pairing of the natural and the technological. While warm, North American hardwood composes its frame, the most sustainable, energy efficient LED technology comprises its light source. Designed for versatility and portability, the Clamp, freestanding, floor and mini models all include a minimal number of parts that enable infinite adjustment of its warm, diffused light.

Designer:
Dana Cannam 2011-2013

Awards:
2012 Red Dot Award



CLAMP TABLE

DESCRIPTION

Designed for simplicity and engineered for sustainability, Clamp combines the beauty of wood with the brilliance of LED technology. Clamp is comprised of 3 main components that work together to provide infinite adjustment, while focusing warm, diffused light where needed most. Available in clamp mount, freestanding, mini and floor models in White Oak and Walnut.

FIXTURE TYPE

Table

LIGHT SOURCE

Clamp/Clamp FS: (108x) High output LED array
Clamp Mini: (60x) High output LED array

PRODUCT CODES

| | |
|-------------------------|----------------------|
| Clamp (Walnut): | CLAM CLP WLN_EU |
| Clamp (White Oak): | CLAM CLP WHT_OAK_EU |
| Clamp FS (Walnut): | CLAM FS WLN_EU |
| Clamp FS (White Oak): | CLAM FS WHT_OAK_EU |
| Clamp FS Base (White): | CLAM BASE TBL WHT_EU |
| Clamp Mini (Walnut): | CLAM MINI WLN_EU |
| Clamp Mini (White Oak): | CLAM MINI WHT_OAK_EU |

LIGHT CONTROL

Hi-low dim control

FEATURES

360° arm rotation
Advanced LED array eliminates multiple shadows
Ships flat-packed

SPECIFICATIONS

Voltage: 120/220V 60Hz
Power Consumption: 9W (Clamp Mini: 6W)
Color temperature: 3000K
Luminosity: 485 Lumens (Clamp Mini: 325 Lumens)
Luminaire efficacy: 55 Lumens/Watt
Color Rendition Index: 85 CRI
Title 20 compliant
50K hour lifespan
Cord length: 8' (244cm)
Global multi-plug adapter available
2 year warranty

CERTIFICATIONS

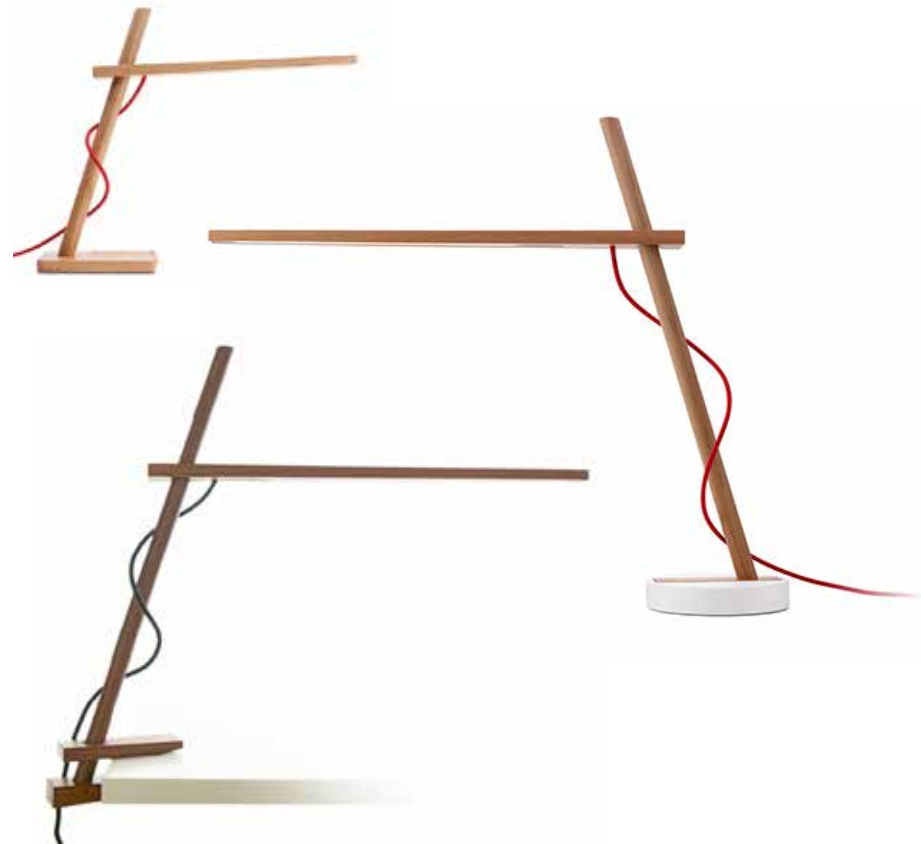


PACKAGING WEIGHT AND DIMENSIONS

| | | |
|----------------|---------|----------------------|
| CLAMP: | 4.45LBS | 32" X 9" X 2.5" |
| | 2KGS | 81cm X 23cm X 6cm |
| CLAMP FS BASE: | 8.3LBS | 11.5" X 10.5" X 2.5" |
| | 3.8KGS | 29cm X 27cm X 6cm |
| CLAMP MINI: | 6.65LBS | 22" X 11" X 2.5" |
| | 3KGS | 56cm X 28cm X 6cm |

NOTES

Custom requests can be considered on volume orders



FINISHES

CLAMP BODY



WHITE OAK/
RED



WALNUT/
BLACK

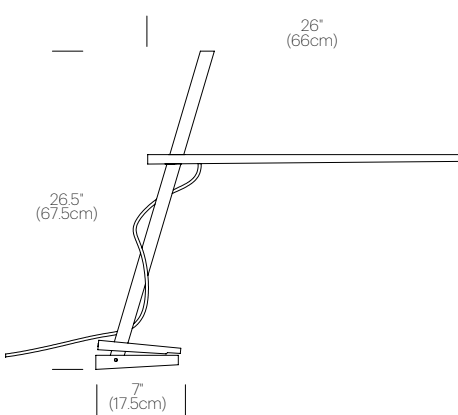
FREESTANDING BASE



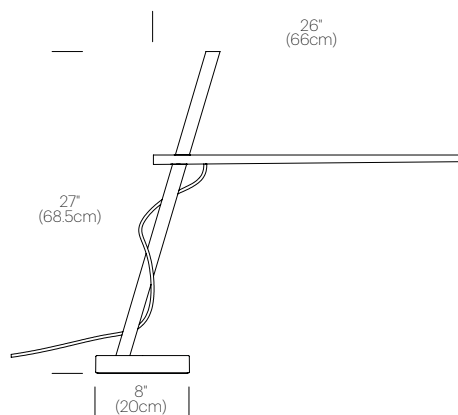
WHITE

DIMENSIONS

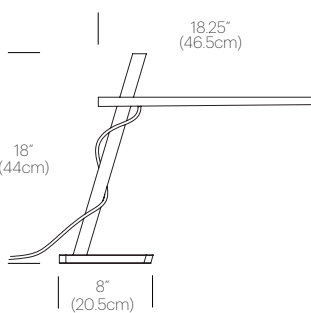
CLAMP



CLAMP FREESTANDING



CLAMP MINI



CLAMP FLOOR

DESCRIPTION

Clamp Floor brings the simplicity and elegance of the Clamp Lamp to a floor-standing model. Fusing timeless materials with state-of-the-art LED technology, Clamp Floor's cantilevered arm allows for limitless adjustment while providing warm and focused illumination. Superior functionality and refined form combine to complement any residential or hospitality environment. Available in White Oak and Walnut.

FIXTURE TYPE

Floor

LIGHT SOURCE

(108x) High output LED array

PRODUCT CODES

| | |
|--------------------|---------------------|
| Clamp (Walnut): | CLAM FLR WLN_EU |
| Clamp (White Oak): | CLAM FLR WHT OAK_EU |

LIGHT CONTROL

Hi-low dim control

FEATURES

- 360° arm rotation
- Advanced LED array eliminates multiple shadows
- Ships flat-packed

SPECIFICATIONS

- Voltage: 120/220V 60Hz
- Power Consumption: 9W
- Color temperature: 3000K
- Luminosity: 485 Lumens
- Luminaire efficacy: 55 Lumens/Watt
- Color Rendition Index: 85 CRI
- Title 20 compliant
- 50K hour lifespan
- Cord length: 8' (244cm)
- Global multi-plug adapter available
- 2 year warranty

CERTIFICATIONS

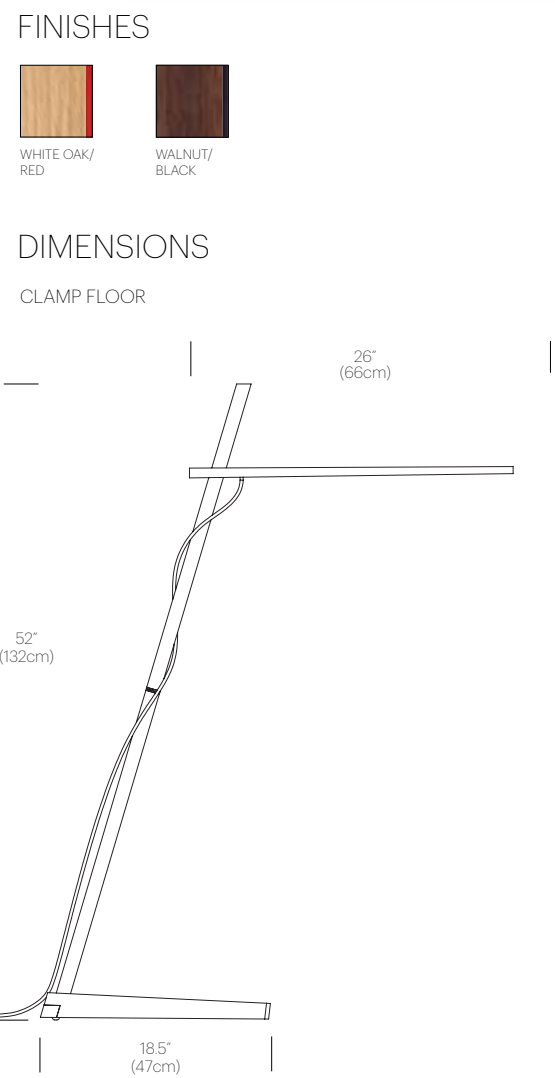


PACKAGING WEIGHT AND DIMENSIONS

| | | |
|--------------|--------|--------------------|
| Clamp Floor: | 9.3LBS | 31" X 12.5" X 2.5" |
| | 4.2KGS | 79cm X 32cm X 6cm |

NOTES

Custom requests can be considered on volume orders



FINISHES



DIMENSIONS

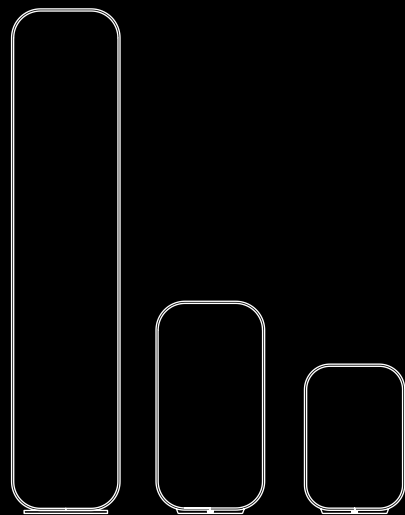
CLAMP FLOOR



CONTOUR

Contour's revealing and elegant open framed architecture captures warm LED illumination within a remarkably slender extruded aluminum structure. Intelligent and highly efficient, Contour's minimalist design has been refined to the bare essentials, creating a rich interior space for your personal belongings while providing an unobstructed view of its surroundings. Contour's premium wood and woven fabric interiors provide an inviting resting place for your books, precious objects, or for charging your mobile devices with its integrated USB port.

Designer:
Pablo Studio 2015



CONTOUR TABLE

DESCRIPTION

Contour's revealing and elegant open framed architecture captures warm LED illumination within a remarkably slender extruded aluminum structure. Intelligent and highly efficient, Contour's minimalist design has been refined to the bare essentials, creating a rich interior space for your personal belongings while providing an unobstructed view of its surroundings. Contour's premium wood and woven fabric interiors provide an inviting resting place for your books, precious objects, or for charging your mobile devices with its integrated USB port.

FIXTURE TYPE

Table

LIGHT SOURCE

(60x) High output LED array

PRODUCT CODES

| | |
|---------------------------------------|---------------------|
| Contour Table SM White/White Oak): | CONT SML WHT/OAK_EU |
| Contour Table SM White/Walnut): | CONT SML WHT/WAL_EU |
| Contour Table SM Graphite/White Oak): | CONT SML GPT/OAK_EU |
| Contour Table SM Graphite/Walnut): | CONT SML GPT/WAL_EU |
| Contour Table LG White/White Oak): | CONT LRG WHT/OAK_EU |
| Contour Table LG White/Walnut): | CONT LRG WHT/WAL_EU |
| Contour Table LG Graphite/White Oak): | CONT LRG WHT/OAK_EU |
| Contour Table LG Graphite/Walnut): | CONT LRG WHT/WAL_EU |

LIGHT CONTROL

Full range dim control

FEATURES

Glare-free illumination
USB charging port

SPECIFICATIONS

Voltage: 120/220V 60Hz
Power Consumption: 8W MAX
Color temperature: 3000K
Luminosity: 585 Lumens
Luminaire efficacy: 76 Lumens/Watt
Color Rendition Index: 80+ CRI
50K hour lifespan
Cord length: 8' (244cm)
Global multi-plug adapter available
2 year warranty
Patent pending

CERTIFICATIONS



PACKAGING WEIGHT AND DIMENSIONS

| | |
|-------------------|---------------------------|
| CONTOUR TABLE SM: | 11LBS 17.5" X 12" X 6" |
| | 5KGS 44.5cm X 30cm X 15cm |
| CONTOUR TABLE LG: | 13LBS 25" X 13" X 6" |
| | 6KGS 63.5cm X 33cm X 15cm |

NOTES

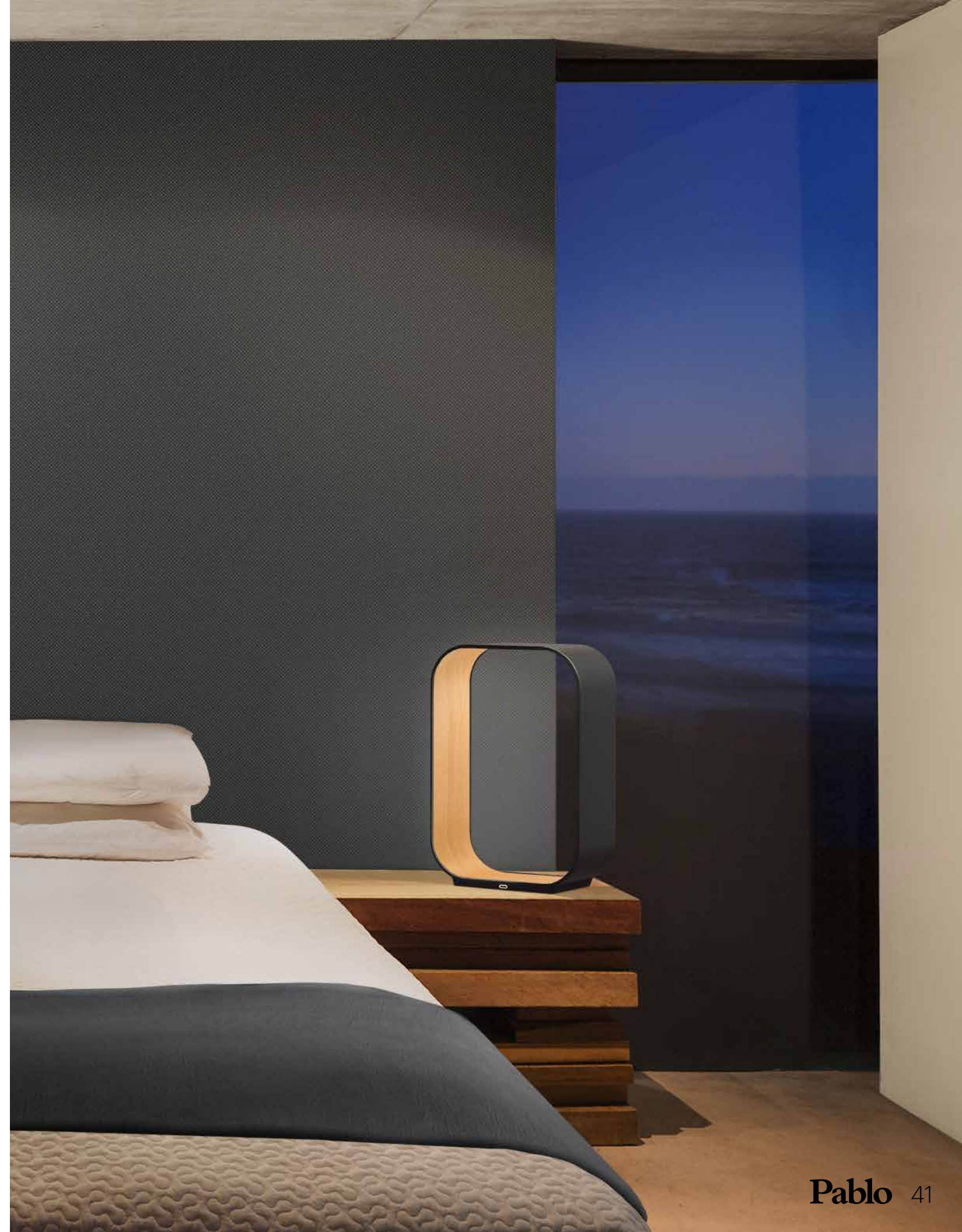
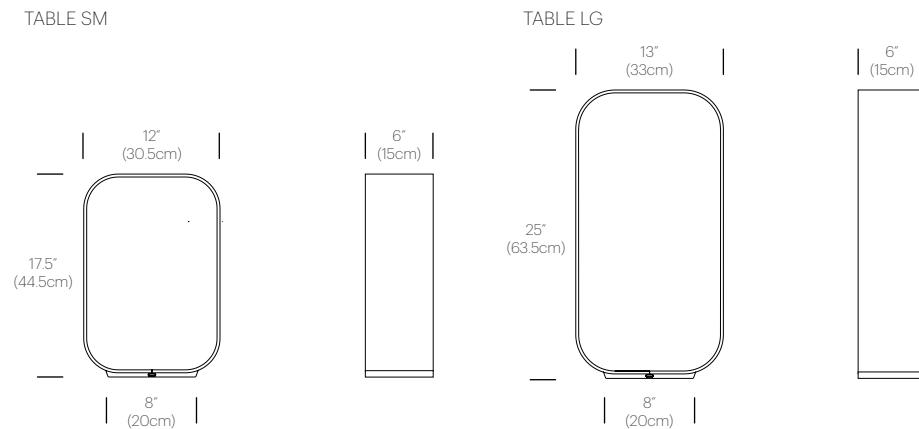
Custom requests can be considered on volume orders



FINISHES



DIMENSIONS



CONTOUR FLOOR

DESCRIPTION

Contour's revealing and elegant open framed architecture captures warm LED illumination within a remarkably slender extruded aluminum structure. Intelligent and highly efficient, Contour's minimalist design has been refined to the bare essentials, creating a rich interior space for your personal belongings while providing an unobstructed view of its surroundings. Contour's premium wood and woven fabric interiors provide an inviting resting place for your books, precious objects, or for charging your mobile devices with its integrated USB port.

FIXTURE TYPE

Table

LIGHT SOURCE

(60x) High output LED array

PRODUCT CODES

| | |
|------------------------------------|-----------------------|
| Contour Floor White/White Oak): | CONT FLR WHT/OAK_EU |
| Contour Floor White/Walnut): | CONT FLR WHT/WAL_EU |
| Contour Floor White/Pearl): | CONT FLR WHT/PEARL_EU |
| Contour Floor Graphite/White Oak): | CONT FLR GPT/OAK_EU |
| Contour Floor Graphite/Walnut): | CONT FLR GPT/WAL_EU |
| Contour Floor Graphite/Coal): | CONT FLR GPT/COAL_EU |

LIGHT CONTROL

Full range dim control (in-line push dimmer)

FEATURES

Glare-free illumination
USB charging port

SPECIFICATIONS

Voltage: 120/220V 60Hz
Power Consumption: 21.5W MAX
Color temperature: 3000K
Luminosity: 1185 Lumens
Luminaire efficacy: 54 Lumens/Watt
Color Rendition Index: 80+ CRI
50K hour lifespan
Cord length: 9' (274cm)
Global multi-plug adapter available
2 year warranty
Patent pending

CERTIFICATIONS



PACKAGING WEIGHT AND DIMENSIONS

| | | |
|----------------|-------|-----------------------|
| CONTOUR FLOOR: | 30LBS | 60" X 13" X 6" |
| | 14KGS | 152.5cm X 13cm X 15cm |

NOTES

Custom requests can be considered on volume orders

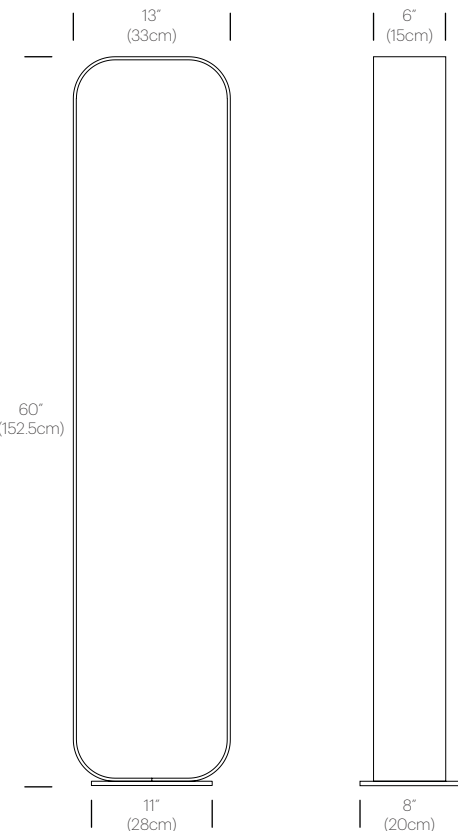


FINISHES



DIMENSIONS

FLOOR

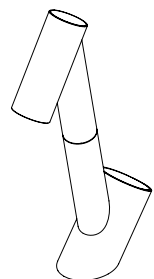


GIRAFFA

Smart and playful, Giraa's endearing personality and versatile design are at home anywhere: on your desk, atop a nightstand, or tucked into a cozy reading nook. A 360° rotating shade combined with an angled post provides multiple lighting possibilities, allowing this petite lamp to cast both direct and ambient light. Giraa is available in a trio of premium finishes: brushed copper, black anodized aluminum and gloss white lacquer. Giraa's warm and fully dimmable LED light source is rated for 50K hours to provide a lifetime of personal enjoyment.

Designer:
John August 2016

Awards:
[2016 NYCxDesign Award Finalist](#)



GIRAFFA

DESCRIPTION

Smart and playful, Giraffa's endearing personality and versatile design are at home anywhere: on your desk, atop a nightstand, or tucked into a cozy reading nook. A 360° rotating shade combined with an angled post provides multiple lighting possibilities, allowing this petite lamp to cast both direct and ambient light. Giraffa is available in a trio of premium finishes: brushed copper, black anodized aluminum and gloss white lacquer. Giraffa's warm and fully dimmable LED light source is rated for 50K hours to provide a lifetime of personal enjoyment.

FIXTURE TYPE

Table

LIGHT SOURCE

LED High-Output chip on board

PRODUCT CODES

| | |
|-----------------|---------------------|
| Giraffa White: | GIRA TBL WHT/SLV_EU |
| Giraffa Copper: | GIRA TBL COP/COP_EU |
| Giraffa Black: | GIRA TBL BLK/BLK_EU |

LIGHT CONTROL

Full range dim control

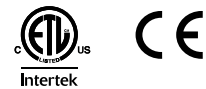
FEATURES

360° shade rotation
High output LED light source

SPECIFICATIONS

Voltage: 100-240V
Power consumption: 4.6W
Color temperature: 3000K
Luminosity: 260 Lumens
Luminaire efficacy: 56 Lumens/Watt
Color Rendition Index: 90+ CRI
50K Hour lifespan
Cord length: 6' (182cm)
2 year warranty
Patent pending

CERTIFICATIONS



PACKAGING WEIGHT AND DIMENSIONS

| | | |
|----------|---------|------------------------|
| Giraffa: | 4.35LBS | 15" X 9" X 5" |
| | 2KGS | 38cm X 22.8cm X 12.7cm |

NOTES

Custom requests can be considered on volume orders



FINISHES



GLOSS WHITE/
SATIN SILVER



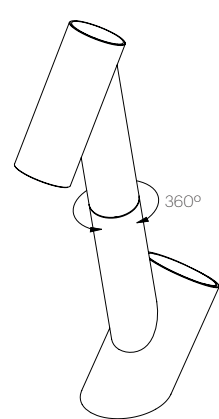
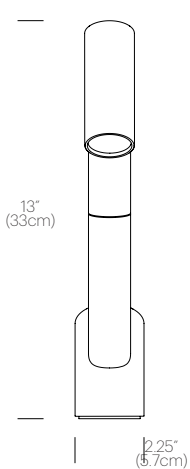
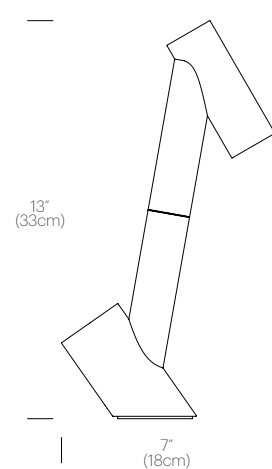
BRUSHED COPPER/
SATIN COPPER



BRUSHED BLACK/
SATIN BLACK

DIMENSIONS

GIRAFFA



LANA

Inspired by a fusion of craft and advanced manufacturing, the Lana series is designed to adapt to any space. Lana is comprised of a unique magnetic felt shade that provides limitless attachment possibilities. The new collection debuts with a magnetic LED module which guarantees maximum freedom allowing the light to be attached to any ferrous surface bringing three distinct personalities: wall, table, and floor (with adjustable pedestal).

Designer:
Pablo Studios 2015



LANA TABLE

DESCRIPTION

Inspired by a fusion of craft and advanced manufacturing, the Lana series is designed to adapt to any space. Lana is comprised of a unique magnetic felt shade that provides limitless attachment possibilities. The new collection debuts with a magnetic LED module which guarantees maximum freedom allowing the light to be attached to any ferrous surface bringing three distinct personalities: wall, table, and floor (with adjustable pedestal).

FIXTURE TYPE

Floor

LIGHT SOURCE

LED High-Output chip on board

PRODUCT CODES

| | |
|----------------------------------|------------------------------|
| Table SM White Stone/Grey: | LANA SML TBL STN/GRY WHT_EU |
| Table SM White Charcoal/Grey: | LANA SML TBL CHR/GRY WHT_EU |
| Table SM White Arctic Blue/Grey: | LANA SML TBL ARCT/GRY WHT_EU |
| Table SM White Moss/Grey: | LANA SML TBL MOSS/GRY WHT_EU |

| | |
|-----------------------------------|------------------------------|
| Table SM Chrome Stone/Grey: | LANA SML TBL STN/GRY CRM_EU |
| Table SM Chrome Charcoal/Grey: | LANA SML TBL CHR/GRY CRM_EU |
| Table SM Chrome Arctic Blue/Grey: | LANA SML TBL ARCT/GRY CRM_EU |
| Table SM Chrome Moss/Grey: | LANA SML TBL MOSS/GRY CRM_EU |

| | |
|----------------------------------|------------------------------|
| Table LG White Stone/Grey: | LANA LRG TBL STN/GRY WHT_EU |
| Table LG White Charcoal/Grey: | LANA LRG TBL CHR/GRY WHT_EU |
| Table LG White Arctic Blue/Grey: | LANA LRG TBL ARCT/GRY WHT_EU |
| Table LG White Moss/Grey: | LANA LRG TBL MOSS/GRY WHT_EU |

| | |
|-----------------------------------|------------------------------|
| Table LG Chrome Stone/Grey: | LANA LRG TBL STN/GRY CRM_EU |
| Table LG Chrome Charcoal/Grey: | LANA LRG TBL CHR/GRY CRM_EU |
| Table LG Chrome Arctic Blue/Grey: | LANA LRG TBL ARCT/GRY CRM_EU |
| Table LG Chrome Moss/Grey: | LANA LRG TBL MOSS/GRY CRM_EU |

LIGHT CONTROL

Full range dim (optical switch)

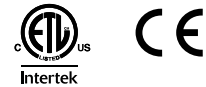
FEATURES

360° shade rotation
Unlimited height adjustability
Magnetic attachment

SPECIFICATIONS

Voltage: 120/220V 60Hz
Power consumption: 5.5W
Color temperature: 3000K
Luminosity: 350 Lumens
Luminaire efficacy: 64 Lumens/Watt
Color Rendition Index: 90+ CRI
50K Hour lifespan
Cord length: 9' (274cm)
2 year warranty
Patent pending

CERTIFICATIONS



PACKAGING WEIGHT AND DIMENSIONS

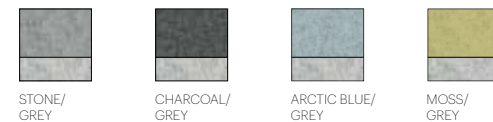
| | | |
|-------------|---------|---------------------|
| Lana Floor: | 7.25LBS | 14.5" X 14" X 20.5" |
| | 3.3KGS | 37cm X 36cm X 52cm |

NOTES

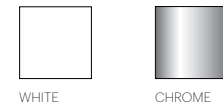
Custom requests can be considered on volume orders
Additional colorways can be ordered upon request



SHADE FINISHES

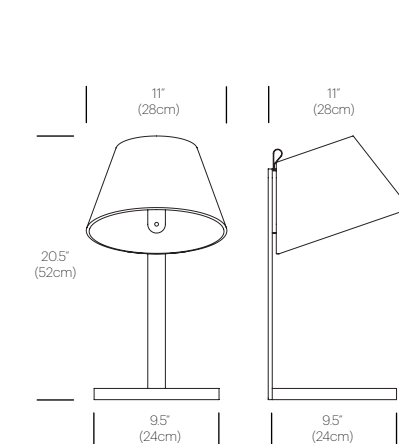


BASE FINISHES

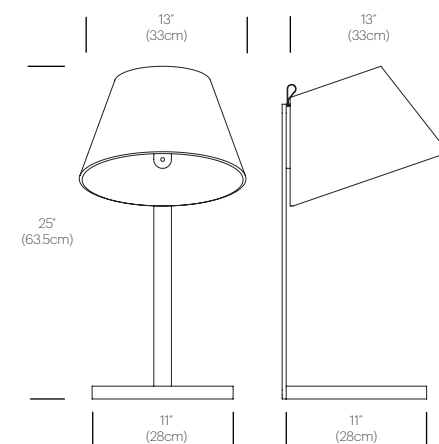


DIMENSIONS

LANA TABLE SM



LANA TABLE LG



LANA FLOOR

DESCRIPTION

Inspired by a fusion of craft and advanced manufacturing, the Lana series is designed to adapt to any space. Lana is comprised of a unique magnetic felt shade that provides limitless attachment possibilities. The new collection debuts with a magnetic LED module which guarantees maximum freedom allowing the light to be attached to any ferrous surface bringing three distinct personalities: wall, table, and floor (with adjustable pedestal).

FIXTURE TYPE

Floor

LIGHT SOURCE

LED High-Output chip on board

PRODUCT CODES

| | |
|-------------------------------|--------------------------|
| Floor White Stone/Grey: | LANA FLR STN/GRY WHT_EU |
| Floor White Charcoal/Grey: | LANA FLR CHR/GRY WHT_EU |
| Floor White Arctic Blue/Grey: | LANA FLR ARCT/GRY WHT_EU |
| Floor White Moss/Grey: | LANA FLR MOSS/GRY WHT_EU |

| | |
|--------------------------------|--------------------------|
| Floor Chrome Stone/Grey: | LANA FLR STN/GRY CRM_EU |
| Floor Chrome Charcoal/Grey: | LANA FLR CHR/GRY CRM_EU |
| Floor Chrome Arctic Blue/Grey: | LANA FLR ARCT/GRY CRM_EU |
| Floor Chrome Moss/Grey: | LANA FLR MOSS/GRY CRM_EU |

| | |
|-----------------------------------|--------------------------------|
| Floor White ped Stone/Grey: | LANA FLR STN/GRY WHT W/PED_EU |
| Floor White ped Charcoal/Grey: | LANA FLR CHR/GRY WHT W/PED_EU |
| Floor White ped Arctic Blue/Grey: | LANA FLR ARCT/GRY WHT W/PED_EU |
| Floor White ped Moss/Grey: | LANA FLR MOSS/GRY WHT W/PED_EU |

| | |
|------------------------------------|--------------------------------|
| Floor Chrome ped Stone/Grey: | LANA FLR STN/GRY CRM W/PED_EU |
| Floor Chrome ped Charcoal/Grey: | LANA FLR CHR/GRY CRM W/PED_EU |
| Floor Chrome ped Arctic Blue/Grey: | LANA FLR ARCT/GRY CRM W/PED_EU |
| Floor Chrome ped Moss/Grey: | LANA FLR MOSS/GRY CRM W/PED_EU |

LIGHT CONTROL

Full range dim (optical switch)

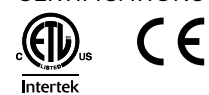
FEATURES

360° shade rotation
Unlimited height adjustability
Magnetic attachment

SPECIFICATIONS

Voltage: 120/220V 60Hz
Power consumption: 5.5W
Color temperature: 3000K
Luminosity: 350 Lumens
Luminaire efficacy: 64 Lumens/Watt
Color Rendition Index: 90+ CRI
50K Hour lifespan
Cord length: 9' (274cm)
2 year warranty
Patent pending

CERTIFICATIONS



PACKAGING WEIGHT AND DIMENSIONS

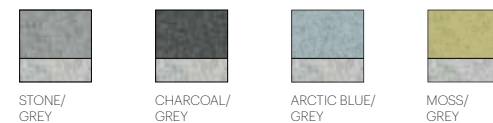
| | | |
|-------------|---------|------------------------|
| Lana Floor: | 10.9LBS | 14.5" X 14" X 20.5" |
| | 4.94KGS | 36.8cm X 35.5cm X 52cm |

NOTES

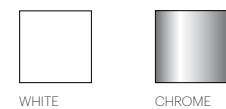
Custom requests can be considered on volume orders
Additional colorways can be ordered upon request



SHADE FINISHES

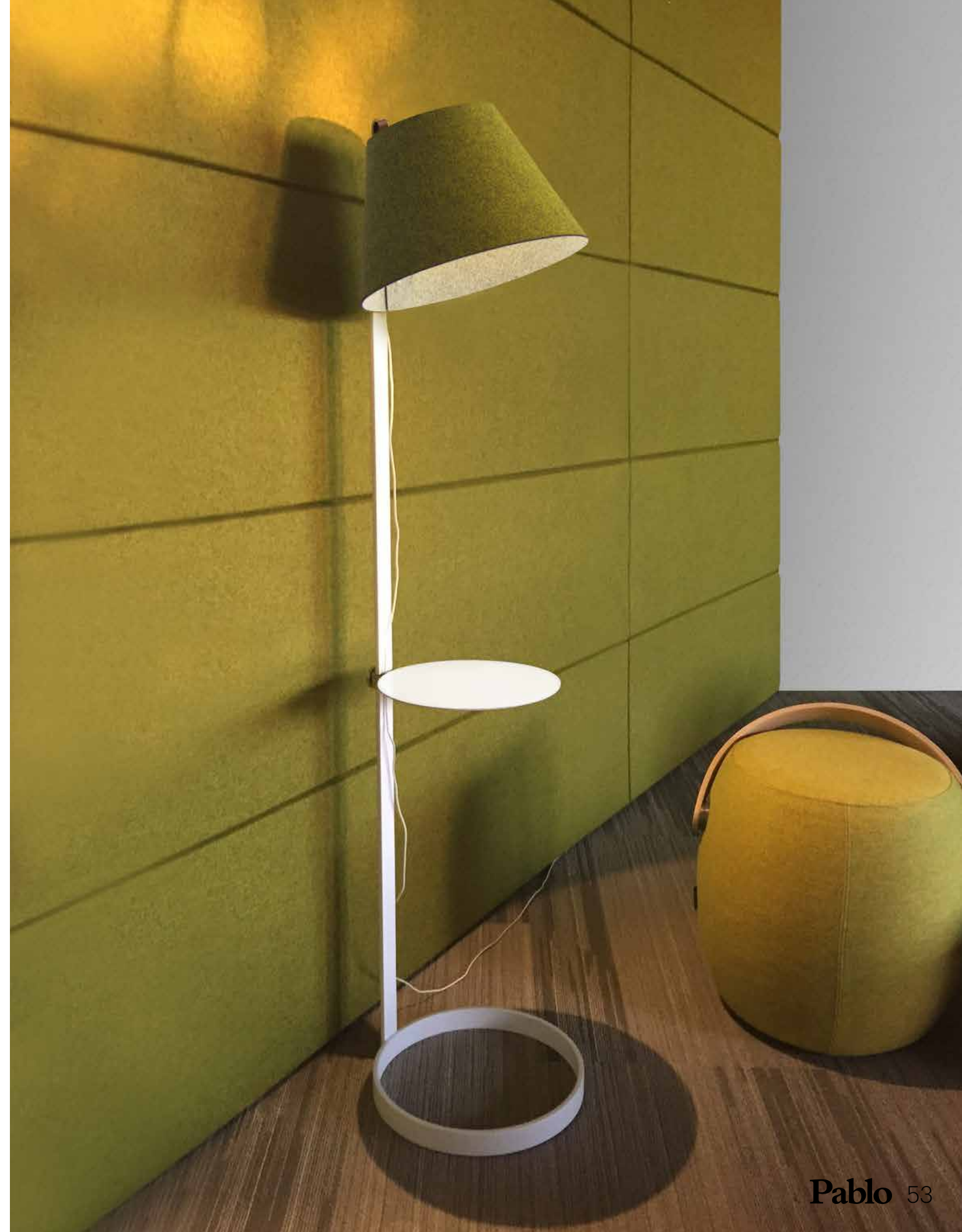
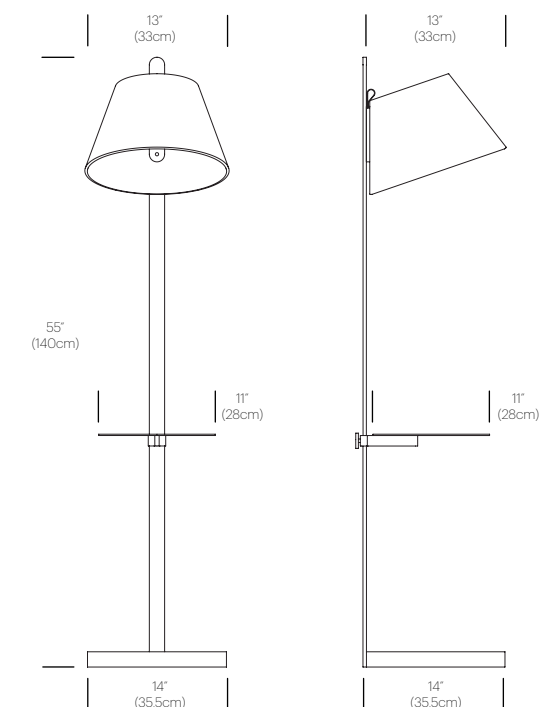


BASE FINISHES



DIMENSIONS

LANA FLOOR



LANA WALL

DESCRIPTION

Inspired by a fusion of craft and advanced manufacturing, the Lana series is designed to adapt to any space. Lana is comprised of a unique magnetic felt shade that provides limitless attachment possibilities. The new collection debuts with a magnetic LED module which guarantees maximum freedom allowing the light to be attached to any ferrous surface bringing three distinct personalities: wall, table, and floor (with adjustable pedestal).

FIXTURE TYPE

Wall

LIGHT SOURCE

LED High-Output chip on board

PRODUCT CODES

| | |
|---------------------------|---------------------------|
| Wall SM Stone/Grey: | LANA WALL SML STN/GRY_EU |
| Wall SM Charcoal/Grey: | LANA WALL SML CHR/GRY_EU |
| Wall SM Arctic Blue/Grey: | LANA WALL SML ARCT/GRY_EU |
| Wall SM Moss/Grey: | LANA WALL SML MOSS/GRY_EU |

| | |
|---------------------------|---------------------------|
| Wall LG Stone/Grey: | LANA WALL LRG STN/GRY_EU |
| Wall LG Charcoal/Grey: | LANA WALL LRG CHR/GRY_EU |
| Wall LG Arctic Blue/Grey: | LANA WALL LRG ARCT/GRY_EU |
| Wall LG Moss/Grey: | LANA WALL LRG MOSS/GRY_EU |

LIGHT CONTROL

Full range dim (optical switch)

FEATURES

360° shade rotation
Unlimited height adjustability
Magnetic attachment

SPECIFICATIONS

Voltage: 120/220V 60Hz
Power consumption: 5.5W
Color temperature: 3000K
Luminosity: 350 Lumens
Luminaire efficacy: 64 Lumens/Watt
Color Rendition Index: 90+ CRI
50K Hour lifespan
Cord length: 9' (274cm)
2 year warranty
Patent pending

CERTIFICATIONS



PACKAGING WEIGHT AND DIMENSIONS

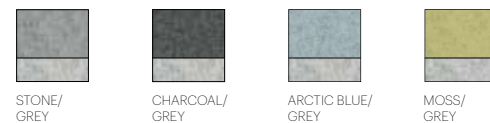
| | | |
|---------------|---------|----------------------|
| Lana Wall SM: | 2.65LBS | 11.5" X 11.5" X 7.5" |
| | 3KGS | 29cm X 29cm X 19cm |
| Lana Wall LG: | 3.05LBS | 13" X 13" X 8.5" |
| | 3KGS | 33cm X 33cm X 21.5cm |

NOTES

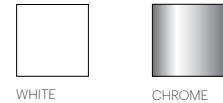
Custom requests can be considered on volume orders
Additional colorways can be ordered upon request



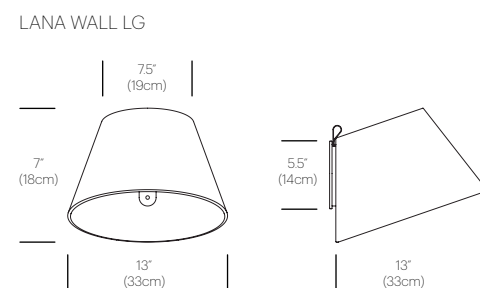
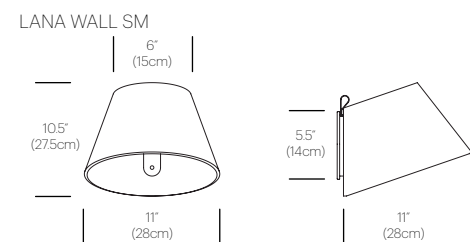
SHADE FINISHES



BASE FINISHES



DIMENSIONS



LIM360

A study in reductionism, LIM is not so much a lamp as it is a conduit of light. Its minimalist form shapes a plane of illumination powered by an equally minimalist light source — a continuous array of high-output, energy-efficient LEDs discreetly concealed in its armature. Along with a slim, rotatable arm that enables the user to redirect the light, LIM employs a magnetic attachment system that makes it effortlessly portable and adjustable. LIM is available in up to five different form factors enabling tabletop, floor, and undersurface mount applications.

Designer:
LIM360: Pablo Studio 2012

Awards:
2010 iF Product Design Award
2009 Best of Neocon Silver



LIM360 TABLE

DESCRIPTION

LIM360 is an inspiringly simple and intelligently functional task lamp. Combining seamless movement with the most advanced LED technology and an integrated USB port for charging mobile devices, LIM360 brings thoughtful design to the forefront. Available in a range of sophisticated neutrals and expressive colors, LIM360 will elevate any environment.

FIXTURE TYPE

Table

LIGHT SOURCE

(91x) High-output LED array

PRODUCT CODES

| | |
|--------------------------|--------------------|
| LIM 360 Aluminum/Silver: | LIM 360 ALU/SLV_EU |
| LIM 360 Aluminum/Walnut: | LIM 360 ALU/WAL_EU |
| LIM 360 White/Walnut: | LIM 360 WHT/WAL_EU |
| LIM 360 Black/Walnut: | LIM 360 BLK/WAL_EU |
| LIM 360 Brass/Brass: | LIM 360 BRA/BRA_EU |
| LIM 360 Copper/Copper: | LIM 360 COP/COP_EU |

LIGHT CONTROL

Hi-low dim control

FEATURES

- 360° arm rotation
- Advanced LED array eliminates multiple shadow
- USB charging port
- Ships flat-packed
- Removable insert
- OCC model available upon request

SPECIFICATIONS

- Voltage: 120/220V 60Hz
- Power consumption: 7W
- Color temperature: 3000K
- Luminosity: 295 Lumens
- Luminaire efficacy: 41 Lumens/Watt
- Color Rendition Index: 85 CRI
- 50K Hour lifespan
- Cord length: 10' (304cm)
- Global multi-plug adapter available
- 2 year warranty

CERTIFICATIONS



PACKAGING WEIGHT AND DIMENSIONS

| | | |
|---------|--------|--------------------|
| LIM360: | 4.9LBS | 25.5" X 10" X 2.5" |
| | 2.2KGS | 65cm X 25cm X 6cm |

NOTES

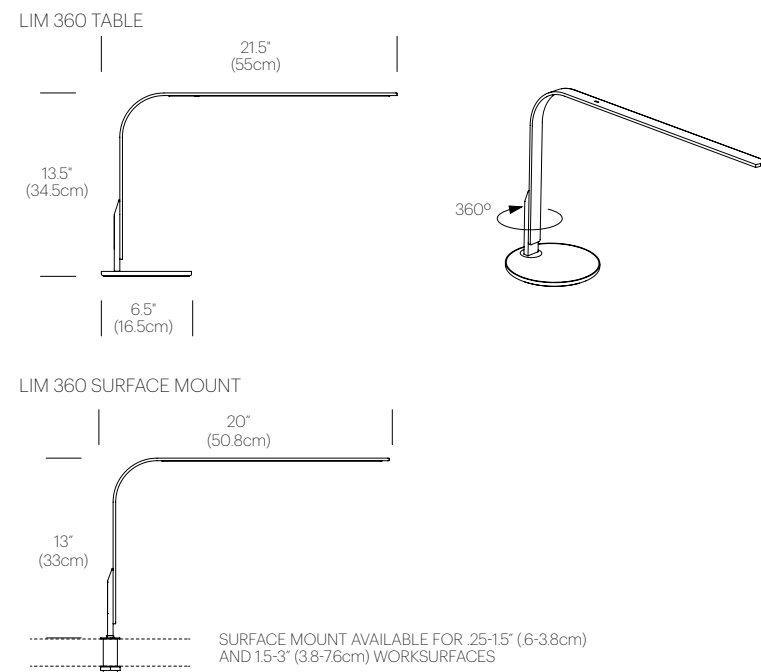
- Surface grommet mount available upon request
- Occupancy sensor model available upon request
- Custom requests can be considered on volume orders
- Additional colorways can be ordered upon request



FINISHES



DIMENSIONS

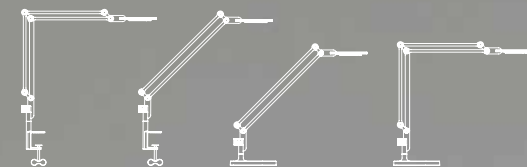


LINK

Link modernizes the classic pantograph task lamp, incorporating the most advanced LED lighting technology to date. Designed with a dual-purpose shade/handle, Link seamlessly balances performance and style to satisfy focused lighting needs in any environment. The wide range of Link models include medium and small table, floor, clamp, and wall mount options to accommodate all residential, office, and hospitality task lighting applications.

Designer:
Peter Stathis 2008/2009

Awards:
2009 IDEA Silver Award
2009 I.D Annual Design Review Honoree
2009 Spark Design Award
2008 ICFF Editor's Choice Award



LINK TABLE

DESCRIPTION

Link modernizes the classic pantograph task lamp, incorporating the most advanced LED lighting technology to date. Designed with a dual-purpose shade/handle, Link seamlessly balances performance and style to satisfy focused lighting needs in any environment. The wide range of Link models include medium and small table, floor, clamp, and wall mount options to accommodate all residential, office, and hospitality task lighting applications.

FIXTURE TYPE

Table

LIGHT SOURCE

(99x) High-output LED array

PRODUCT CODES

Link Medium Table (Silver): LINK MED TBL SLV_EU

Link Medium Table (White): LINK MED TBL WHT_EU

Link Medium Table (Black): LINK MED TBL BLK_EU

Link Small Table (Silver): LINK SML TBL SLV_EU

Link Small Table (White): LINK SML TBL WHT_EU

Link Small Table (Black): LINK SML TBL BLK_EU

LIGHT CONTROL

Rocker switch (high, low, off)

FEATURES

- 360° rotation at base
- Full-range height adjustability
- 180° front to back head tilt
- Advanced LED array eliminates multiple shadows
- Ships flat-packed
- Link USB included
- OCC model available upon request

SPECIFICATIONS

- Voltage: 120/220V 60Hz
- Power Consumption: 7W
- Color Temperature: 3000K
- Luminosity: 305 Lumens
- Luminaire efficacy: 44 Lumens/Watt
- Color Rendition Index: 90 CRI
- 50K hour lifespan
- Cord length: 8' (244cm)
- Global multi-plug adapter available
- 2 year warranty

CERTIFICATIONS



PACKAGING WEIGHT AND DIMENSIONS

| | | |
|------------------|---------|--------------------|
| Link Small: | 3.05LBS | 33" X 6.5" X 4.5" |
| | 1.4KGS | 84cm X 17cm X 11cm |
| Link Medium: | 3.25LBS | 33" X 6.5" X 4.5" |
| | 1.5KGS | 84cm X 17cm X 11cm |
| Link Table Base: | 7.65LBS | 12.5" X 12" X 4" |
| | 3.5KGS | 32cm X 30cm X 10cm |

NOTES

- Surface grommet mount available upon request
- Occupancy sensor model available upon request
- Custom requests can be considered on volume orders
- Additional colorways can be ordered upon request

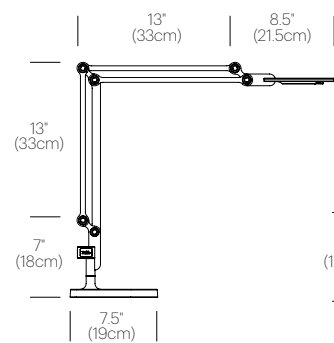


FINISHES

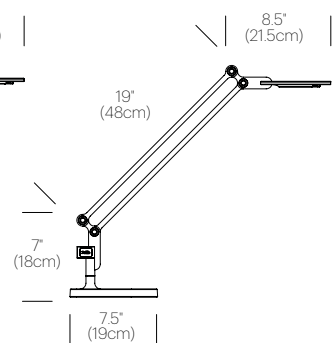


DIMENSIONS

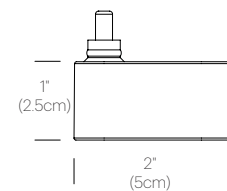
LINK MEDIUM TABLE



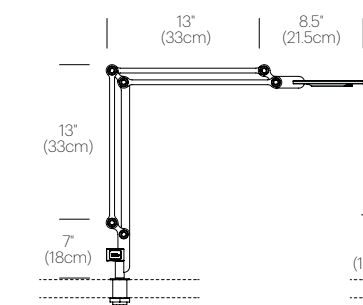
LINK SMALL TABLE



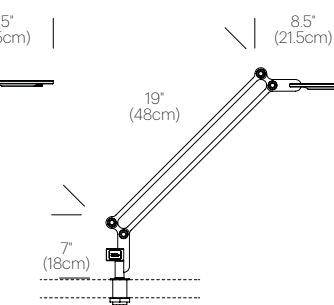
LINK USB



LINK MEDIUM SURFACE MOUNT



LINK SMALL SURFACE MOUNT



SURFACE MOUNT AVAILABLE FOR 2-12" (5-3cm) AND 12-3" (3-7.6cm) WORKSURFACES



LINK CLAMP/WALL

DESCRIPTION

Link modernizes the classic pantograph task lamp, incorporating the most advanced LED lighting technology to date. Designed with a dual-purpose shade/handle, Link seamlessly balances performance and style to satisfy focused lighting needs in any environment. The wide range of Link models include medium and small table, floor, clamp, and wall mount options to accommodate all residential, office, and hospitality task lighting applications.

FIXTURE TYPE

Table

LIGHT SOURCE

(99x) High-output LED array

PRODUCT CODES

| | |
|----------------------------|---------------------|
| Link Small Clamp (Silver): | LINK SML CLP SLV_EU |
| Link Small Clamp (White): | LINK SML CLP WHT_EU |
| Link Small Clamp (Black): | LINK SML CLP BLK_EU |
| Link Small Wall (Silver): | LINK SML WAL SLV_EU |
| Link Small Wall (White): | LINK SML WAL WHT_EU |
| Link Small Wall (Black): | LINK SML WAL BLK_EU |

LIGHT CONTROL

Rocker switch (high, low, off)

FEATURES

- 360° rotation at base
- Full-range height adjustability
- 180° front to back head tilt
- Advanced LED array eliminates multiple shadows
- Hi-low dim control
- Ships flat-packed
- Link USB included
- OCC model available upon request

SPECIFICATIONS

- Voltage: 120/220V 60Hz
- Power Consumption: 7W
- Color Temperature: 3000K
- Luminosity: 305 Lumens
- Luminaire efficacy: 44 Lumens/Watt
- Color Rendition Index: 90 CRI
- 50K hour lifespan
- Cord length: 8' (244cm)
- Global multi-plug adapter available
- 2 year warranty

CERTIFICATIONS



PACKAGING WEIGHT AND DIMENSIONS

| | | |
|-------------------|--------|--------------------|
| Link Clamp Small: | 3.4LBS | 33.5" X 7" X 4.5" |
| | 1.5KGS | 85cm X 18cm X 11cm |

NOTES

- Surface grommet mount available upon request
- Occupancy sensor model available upon request
- Custom requests can be considered on volume orders
- Additional colorways can be ordered upon request

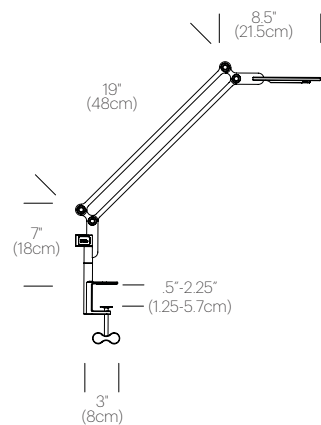


FINISHES

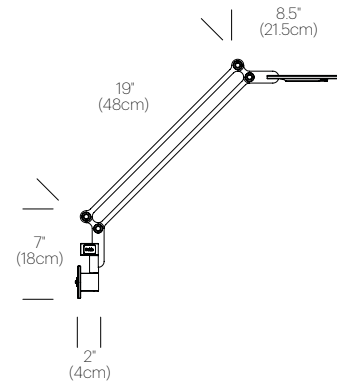


DIMENSIONS

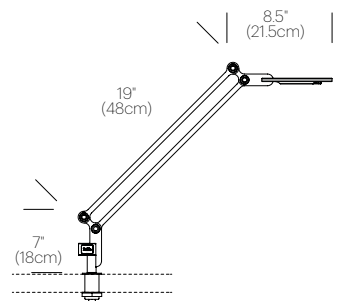
LINK SMALL CLAMP



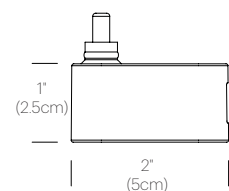
LINK SMALL WALL



LINK SMALL SURFACE MOUNT



LINK USB



SURFACE MOUNT AVAILABLE FOR 2-12" (5-3cm) AND 1.2-3" (3-7.6cm) WORKSURFACES

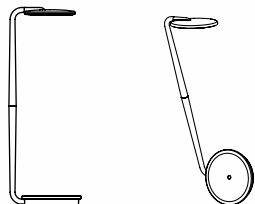


PIXO

Although it embodies an emotive, humanistic form, Pixo, at its conceptual core, is an ultra-efficient task light. Functionality and necessity drive its design. It makes the most of its frame and its space through every feature: Pixo's swiveling light shade and highly maneuverable arm lend it maximum utility within a minimal footprint. Its compact, energy-saving LED light is infinitely adjustable, allowing the user to focus warm, glare-free light wherever needed. For added convenience, the elegant form factor features full-range dimming via its easy to use optical switch. The base integrates a USB port for charging mobile devices. Even more, the upper and lower pieces ship detached from one another to reduce packing materials and shipping costs. Pixo is 97% recyclable.

Designer:
Fernando Pardo and Pablo Pardo 2011

Awards:
2012 Red Dot Award



PIXO

DESCRIPTION

Pixo offers maximum utility in a minimal footprint. The compact and efficient LED task light is highly adjustable, allowing you to focus warm, glare-free light where you need it most. For added convenience, the elegant form factor features full-range dimming via its easy to use optical switch. The base integrates a USB port for charging mobile devices. Pixo now offers an expansive array of expressive and sophisticated colors to suit every discerning taste.

FIXTURE TYPE

Table

LIGHT SOURCE

(78x) High-output LED array

PRODUCT CODES

| | |
|------------------|-----------------|
| Pixo (White): | PIXO OPT WHT_EU |
| Pixo (Silver): | PIXO OPT SLV_EU |
| Pixo (Graphite): | PIXO OPT BLK_EU |
| Pixo (Orange): | PIXO OPT ORG_EU |
| Pixo (Azure): | PIXO OPT BLU_EU |

LIGHT CONTROL

Optical switch (full range dim control 100%-10%)

FEATURES

- 360° arm rotation
- 180° arm tilt
- 360° shade rotation
- USB charging port
- Advanced LED array eliminates multiple shadows
- ADA compliant
- Ships flat-packed
- OCC model available upon request

SPECIFICATIONS

- Voltage: 120/220V 60Hz
- Power consumption: 6W MAX
- Color temperature: 3000K
- Luminosity: 285 Lumens
- Luminaire efficacy: 50 Lumens/Watt
- Color Rendition Index: 90 CRI
- 50K hour lifespan
- Cord length: 6' (182cm)
- Global multi-plug adapter available
- 2 year warranty

CERTIFICATIONS



PACKAGING WEIGHT AND DIMENSIONS

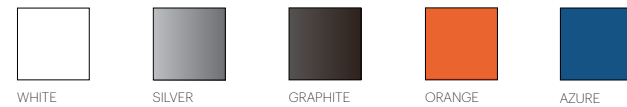
| | | |
|-------|---------|-------------------|
| Pixo: | 3.45LBS | 17" X 9.5" X 2" |
| | 1.6KGS | 43cm X 24cm X 5cm |

NOTES

- Occupancy sensor model available upon request
- Custom requests can be considered on volume orders
- Additional colorways can be ordered upon request

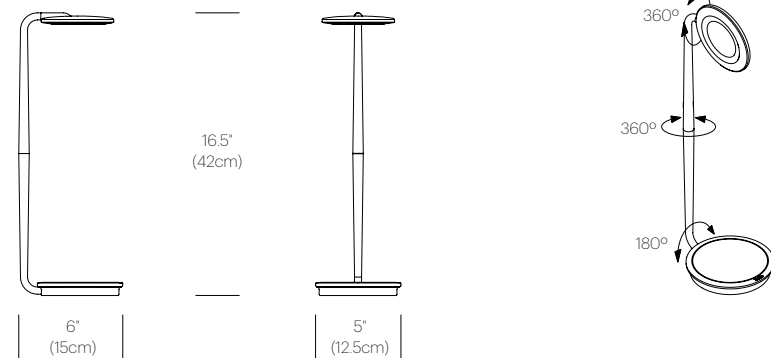


FINISHES



DIMENSIONS

PIXO



PIXO WALL

DESCRIPTION

Pixo offers maximum utility in a minimal footprint. The compact and efficient LED task light is highly adjustable, allowing you to focus warm, glare-free light where you need it most. For added convenience, the elegant form factor features full-range dimming via its easy to use optical switch. The base integrates a USB port for charging mobile devices. Pixo now offers an expansive array of expressive and sophisticated colors to suit every discerning taste.

FIXTURE TYPE

Table

LIGHT SOURCE

(78x) High-output LED array

PRODUCT CODES

Pixo Wall Pin-up (White): PIXO WAL WHT_EU

LIGHT CONTROL

Full range dim control 100%-10%

FEATURES

- 360° arm rotation
- 180° arm tilt
- 360° shade rotation
- USB charging port
- Advanced LED array eliminates multiple shadows
- ADA compliant
- Ships flat-packed

SPECIFICATIONS

- Voltage: 120/220V 60Hz
- Power consumption: 6W MAX
- Color temperature: 3000K
- Luminosity: 285 Lumens
- Luminaire efficacy: 50 Lumens/Watt
- Color Rendition Index: 90 CRI
- 50K hour lifespan
- Cord length: 6' (182cm)
- Global multi-plug adapter available
- 2 year warranty

CERTIFICATIONS



PACKAGING WEIGHT AND DIMENSIONS

| | | |
|------------|---------|-------------------|
| Pixo Wall: | 3.45LBS | 17" X 9.5" X 2" |
| | 1.6KGS | 43cm X 24cm X 5cm |

NOTES

Additional finishes can be considered on volume orders



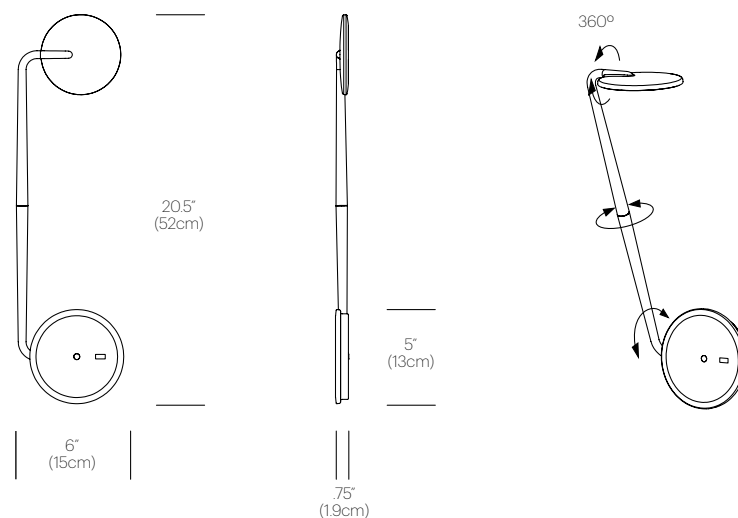
FINISHES



WHITE

DIMENSIONS

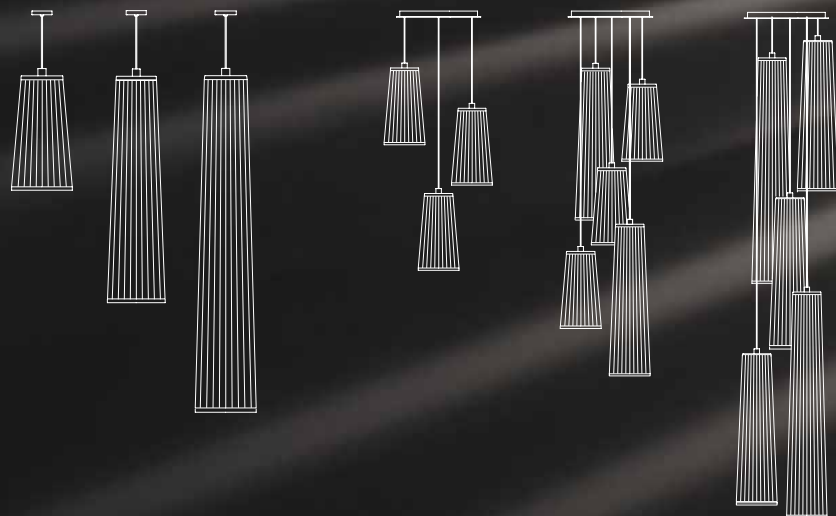
PIXO WALL



SOLIS

In creating Solis, designer Carmine Deganello set out to engage with light in its archetypal form: the sun's rays. The resulting piece is an engaging blend of light and shadows, casting shimmering rays and radiating patterns onto a space. The effect is a sense of weightlessness — and a redefined environment that invites a new kind of relationship with the light source. A suspension lamp made of lightweight polyester fabric and stainless steel, Solis can be used as a pendant, hung from a wall, or as a freestanding, portable luminaire.

Designer:
Carmine Deganello 2009/2010



SOLIS PENDANT

DESCRIPTION

Solis is an innovatively simple and elegant suspension lamp that can be used as a pendant, hung from a wall, or as a freestanding portable luminaire to create a distinctive ambiance. The resulting piece is an engaging blend of light and shadow, casting shimmering rays and radiating patterns onto a space.

FIXTURE TYPE

Pendant

LIGHT SOURCE

E26-60W-PAR30 NSP bulb

PRODUCT CODES

| | |
|--------------------|----------------|
| Solis 24 (White): | SOLI 24 WHT_EU |
| Solis 24 (Black): | SOLI 24 BLK_EU |
| Solis 24 (Silver): | SOLI 24 SLV_EU |
| Solis 48 (White): | SOLI 48 WHT_EU |
| Solis 48 (Black): | SOLI 48 BLK_EU |
| Solis 48 (Silver): | SOLI 48 SLV_EU |
| Solis 72 (White): | SOLI 72 WHT_EU |
| Solis 72 (Black): | SOLI 72 BLK_EU |
| Solis 72 (Silver): | SOLI 72 SLV_EU |

LIGHT CONTROL

Hard-wired

FEATURES

Ships flat-packed
Full-range dim

SPECIFICATIONS

Voltage: 120 or 220V 50/60Hz
Fire retardant polyester fabric
Cord length: 16' (488cm) (Field Cuttable)
2 year warranty

CERTIFICATIONS



PACKAGING WEIGHT AND DIMENSIONS

| | | |
|-----------------|--------|----------------------|
| Solis 24/48/72: | 8.6LBS | 14.5" X 13.5" X 8.5" |
| | 3.9KGS | 37cm X 34cm X 22cm |

NOTES

Custom requests can be considered on volume orders
Additional colorways can be ordered upon request



FINISHES



WHITE



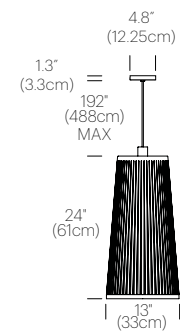
BLACK



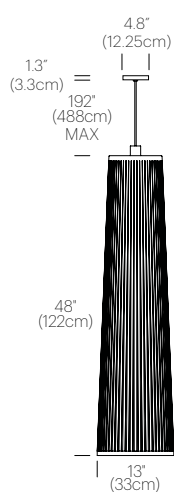
SILVER

DIMENSIONS

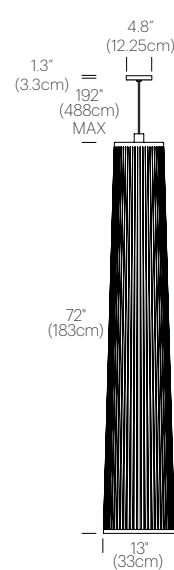
SOLIS 24



SOLIS 48



SOLIS 72



SOLIS CHANDELIER

DESCRIPTION

Solis is an innovatively simple and elegant suspension lamp that can be hung in groupings of 3 and 5 fixtures to create a striking composition. The resulting piece is an engaging blend of light and shadow, casting shimmering rays and radiating patterns onto a space.

FIXTURE TYPE

Chandelier

LIGHT SOURCE

(1) E26-60W-PAR30 NSP bulb per lamp

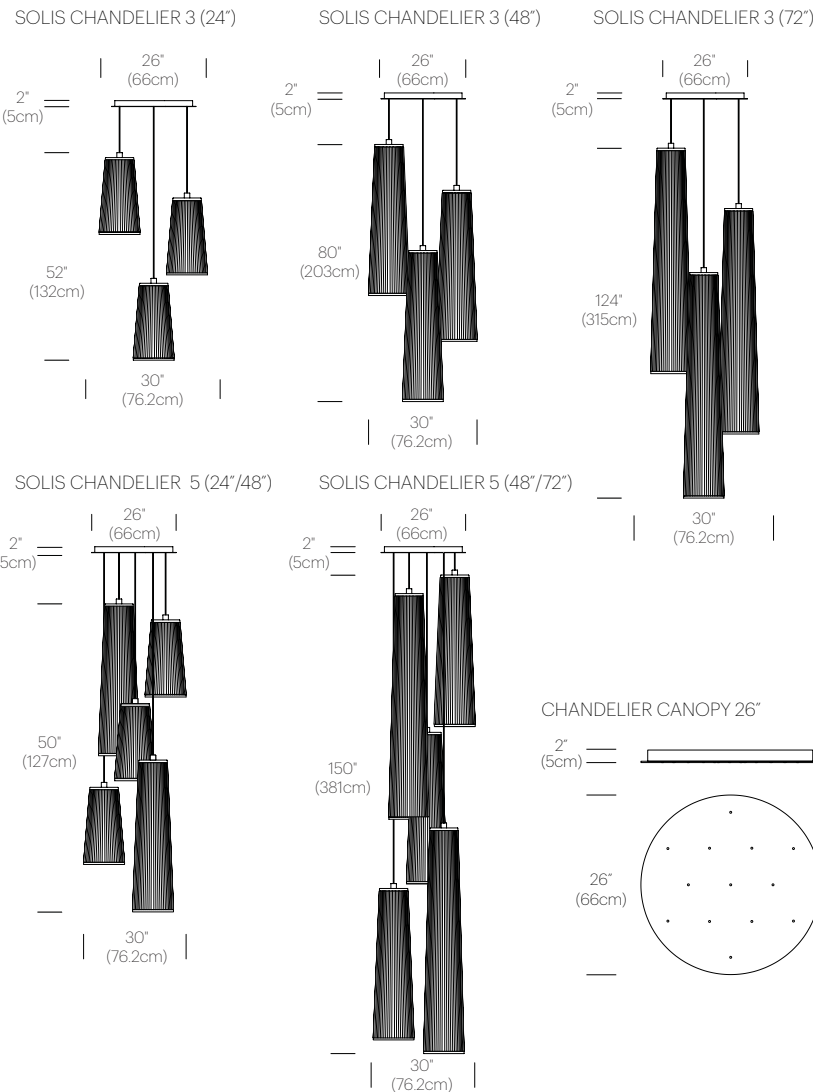
PRODUCT CODES

| | |
|------------------------|----------------|
| Solis 24 (White): | SOLI 24 WHT_EU |
| Solis 24 (Black): | SOLI 24 BLK_EU |
| Solis 24 (Silver): | SOLI 24 SLV_EU |
| Solis 48 (White): | SOLI 48 WHT_EU |
| Solis 48 (Black): | SOLI 48 BLK_EU |
| Solis 48 (Silver): | SOLI 48 SLV_EU |
| Solis 72 (White): | SOLI 72 WHT_EU |
| Solis 72 (Black): | SOLI 72 BLK_EU |
| Solis 72 (Silver): | SOLI 72 SLV_EU |
| 26" Chandelier Canopy: | CHND CAN 26_EU |

FINISHES



DIMENSIONS



LIGHT CONTROL

Hard-wired

FEATURES

Ships flat-packed
 Full-range dim

SPECIFICATIONS

Voltage: 120 or 220V 50/60Hz
 Fire retardant polyester fabric
 Cord length: 16' (488cm) (Field Cuttable)
 2 year warranty

CERTIFICATIONS



PACKAGING WEIGHT AND DIMENSIONS

| | | |
|------------------------|---------|----------------------|
| Solis 24/48/72: | 8.6LBS | 14.5" X 13.5" X 8.5" |
| | 3.9KGS | 37cm X 34cm X 22cm |
| Chandelier canopy 26": | 30LBS | 32" X 32" X 6" |
| | 13.6KGS | 81cm X 81cm X 15cm |

NOTES

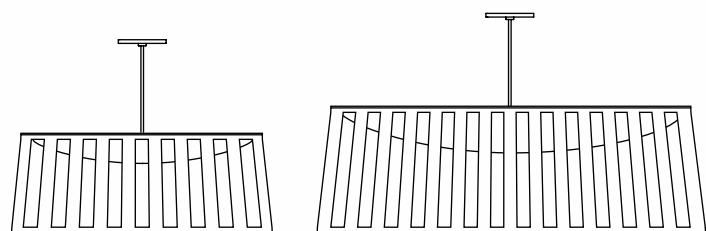
Custom requests can be considered on volume orders
 Additional colorways can be ordered upon request



SOLIS DRUM

The new Solis Drum Pendant is the latest addition to the elegant Solis suspension family. Featuring a uniquely engaging blend of light and shadow, Solis Drum is made of laser cut polyester fabric combined with an aluminum top and bottom ring construction that allows the shade to hang under tension. Solis Drum also employs a stunning LED dome diffuser that spans the diameter of the top ring, radiating light down and sideways to cast shimmering warm patterns onto the space that surrounds it. The effect is a sense of weightlessness that invites a new kind of relationship with the light source. Perfect over a dining table, an entryway or in large groupings.

Designer:
Carmine Deganello + Pablo Studio 2016



SOLIS DRUM 24/36

DESCRIPTION

The new Solis Drum Pendant is the latest addition to the elegant Solis suspension family. Featuring a uniquely engaging blend of light and shadow, Solis Drum is made of laser cut polyester fabric combined with an aluminum top and bottom ring construction that allows the shade to hang under tension. Solis Drum also employs a stunning LED dome diffuser that spans across the full diameter of the top ring, radiating light down and sideways to cast shimmering warm patterns onto the space that surrounds it. The effect is a sense of weightlessness that invites a new kind of relationship with the light source. Perfect over a dining table, an entryway or in large groupings.

FIXTURE TYPE

Pendant

LIGHT SOURCE

High-output LED array

PRODUCT CODES

| | |
|-------------------------|-------------------|
| Solis Drum 24 (White): | SOLI DR 24 WHT_EU |
| Solis Drum 24 (Black): | SOLI DR 24 BLK_EU |
| Solis Drum 24 (Silver): | SOLI DR 24 SLV_EU |
| Solis Drum 36 (White): | SOLI DR 48 WHT_EU |
| Solis Drum 36 (Black): | SOLI DR 48 BLK_EU |
| Solis Drum 36 (Silver): | SOLI DR 48 SLV_EU |

FINISHES



LIGHT CONTROL

Hard-wired

FEATURES

- Ships flat-packed
- Full-range dim
- Fire retardant polyester fabric

SPECIFICATIONS

- Voltage: 120/220V 60Hz
- Power Consumption: 35W(24") 80W(36")
- Color Temperature: 2700K
- Luminosity: 2500 Lumens (24") 5600 Lumens (36")
- Luminaire efficacy: 71 Lumens/Watt
- Color Rendition Index: 85 CRI
- 50K hour lifespan
- Cord length: 10' (305cm) (Field Cuttable)
- 2 year warranty

CERTIFICATIONS



PACKAGING WEIGHT AND DIMENSIONS

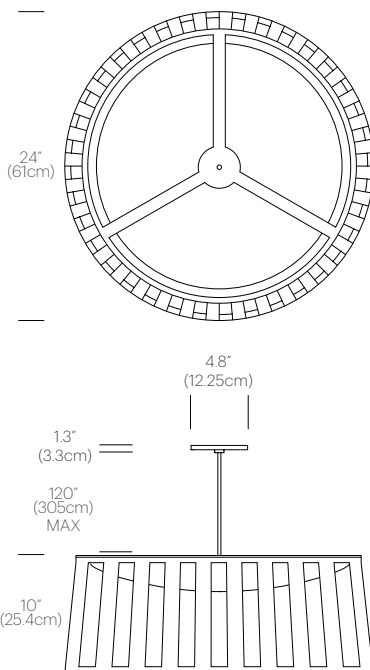
| | | |
|----------------|---------|--------------------------|
| Solis Drum 24: | 11LBS | 26" X 26" X 6" |
| | 5KGS | 61cm X 61cm X 15cm |
| Solis Drum 36: | 16.4LBS | 38" X 38" X 8" |
| | 7.5KGS | 96.5cm X 96.5cm X 20.3cm |

NOTES

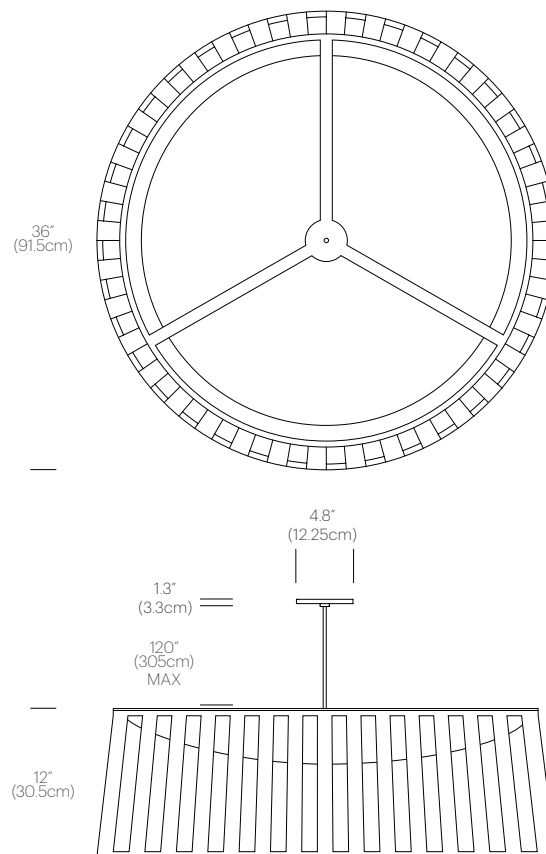
- Custom requests can be considered on volume orders
- Additional colorways can be ordered upon request



SOLIS DRUM 24



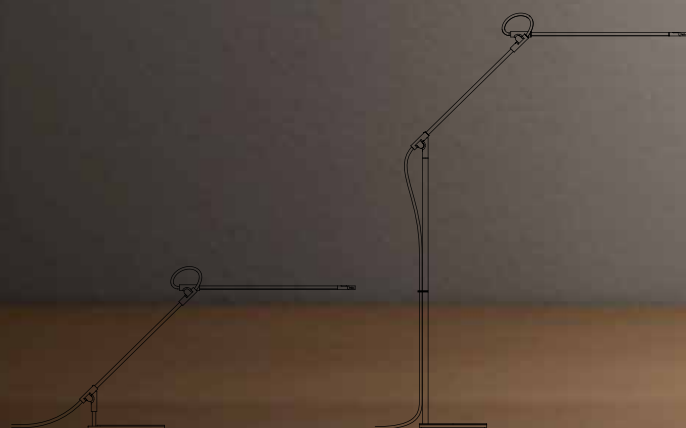
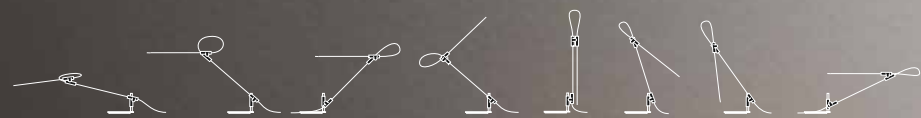
SOLIS DRUM 36



SUPERLIGHT

Superlight balances the demands of both workplace and home with a combination of minimal form and maximal function. Superlight is a task light reduced to its essence. A gestural line in space resulting in a precise yet playful structure defying gravity with an appearance of near weightlessness. Superlight achieves fluid, sweeping movement in every direction with a full 3-axis range of motion providing warm, glare-free LED light exactly where you need it. Superlight is available as a desk, floor, wall, clamp or grommet mounted fixture.

Designers:
Peter Stathis + Matthew Boyko 2017



SUPERLIGHT TABLE

DESCRIPTION

Superlight balances the demands of both workplace and home with a combination of minimal form and maximal function. Superlight is a task light reduced to its essence. A gestural line in space resulting in a precise yet playful structure defying gravity with an appearance of near weightlessness. Superlight achieves fluid, sweeping movement in every direction with a full 3-axis range of motion providing warm, glare-free LED light exactly where you need it. Superlight is available as a desk, floor, wall, clamp or grommet mounted fixture.

FIXTURE TYPE

Table

LIGHT SOURCE

High-output LED array

PRODUCT CODES

| | |
|---------------------------|-----------------|
| Superlight Table (White): | SUPE TBL WHT_EU |
| Superlight Table (Black): | SUPE TBL BLK_EU |

LIGHT CONTROL

Touch Switch

FEATURES

- 3-axis rotation at each joint
- Ultra-light minimal frame
- 4 colored base pads
- Advanced LED array eliminates multiple shadows
- Ships flat-packed
- Full-range dim

SPECIFICATIONS

- Voltage: 120/220V 60Hz
- Power consumption: 8.5W
- Color temperature: 3000K
- Luminosity: 700 Lumens
- Luminaire efficacy: 81 Lumens/watt
- Color rendition index: 85+
- 50K hour lifespan
- Cord length: 9' (274cm)
- Global multi-plug adapter available
- 2 year warranty

CERTIFICATIONS



PACKAGING WEIGHT AND DIMENSIONS

| | | |
|-------------------|--------|-------------------|
| Superlight Table: | 8.3LBS | 28" X 9" X 3.5" |
| | 3.7KGS | 71cm X 23cm X 9cm |

NOTES

Custom requests can be considered on volume orders

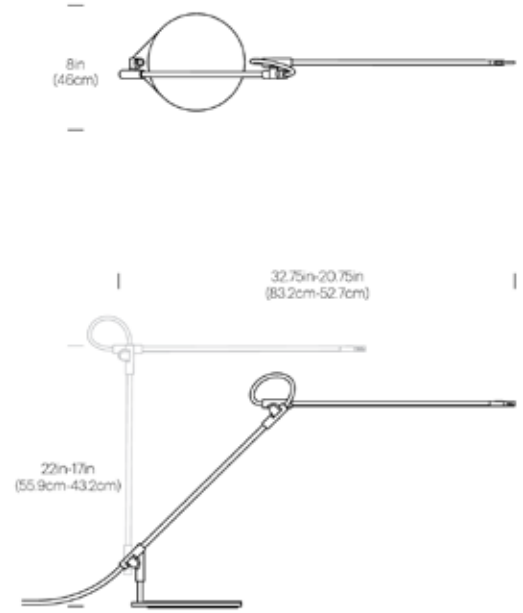


FINISHES



DIMENSIONS

SUPERLIGHT TABLE



SUPERLIGHT FLOOR

DESCRIPTION

Superlight balances the demands of both workplace and home with a combination of minimal form and maximal function. Superlight is a task light reduced to its essence. A gestural line in space resulting in a precise yet playful structure defying gravity with an appearance of near weightlessness. Superlight achieves fluid, sweeping movement in every direction with a full 3-axis range of motion providing warm, glare-free LED light exactly where you need it. Superlight is available as a desk, floor, wall, clamp or grommet mounted fixture.

FIXTURE TYPE

Table

LIGHT SOURCE

High-output LED array

PRODUCT CODES

| | |
|---------------------------|----------------|
| Superlight Floor (White): | SUPE FL WHT_EU |
| Superlight Floor (Black): | SUPE FL BLK_EU |

LIGHT CONTROL

Touch Switch

FEATURES

- 3-axis rotation at each joint
- Ultra-light minimal frame
- 4 colored base pads
- Advanced LED array eliminates multiple shadows
- Ships flat-packed
- Full-range dim

SPECIFICATIONS

- Voltage: 120/220V 60Hz
- Power consumption: 8.5W
- Color temperature: 3000K
- Luminosity: 700 Lumens
- Luminaire efficacy: 81 Lumens/watt
- Color rendition index: 85+
- 50K hour lifespan
- Cord length: 9' (274cm)
- Global multi-plug adapter available
- 2 year warranty

CERTIFICATIONS

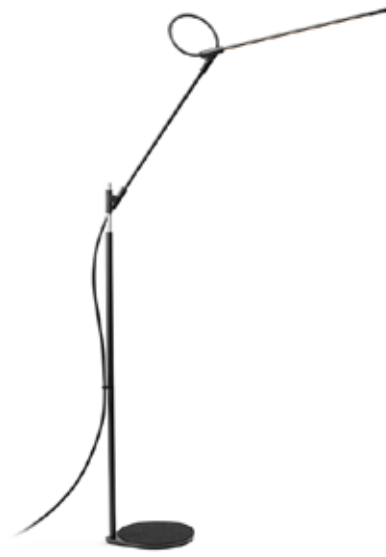


PACKAGING WEIGHT AND DIMENSIONS

| | | |
|-------------------|---------|-------------------|
| Superlight Floor: | 12.5LBS | 28" X 9" X 3.5" |
| | 5.7KGS | 71cm X 23cm X 9cm |

NOTES

Custom requests can be considered on volume orders

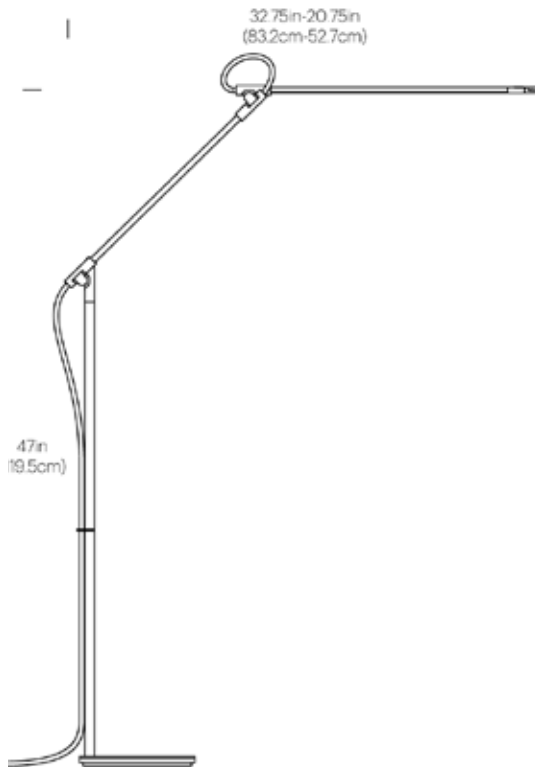


FINISHES



DIMENSIONS

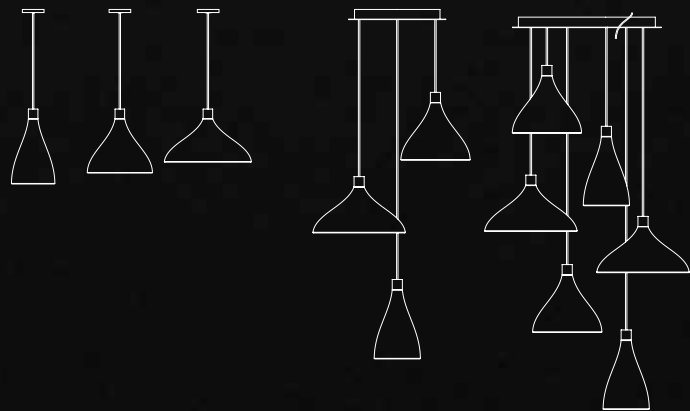
SUPERLIGHT TABLE



SWELL

Elegant and infinitely flexible, Swell is a modular LED lighting system designed to seamlessly blend the line between indoor and outdoor lighting. Formed from spun aluminum, Swell's 3 shade designs pair fluid, undulating lines with a radiant brass interior and can be mixed and matched to create dynamic groupings. Swell can be suspended individually, as a chandelier or as inter-connectable shade strings to perfectly complement residential, commercial, lounge and hospitality settings alike.

Designer:
Pablo Studio 2015



SWELL SINGLE

DESCRIPTION

Elegant with undulating contours, Swell Single is an LED pendant designed to seamlessly blend the line between indoor and outdoor lighting. Swell single can be suspended individually or as a chandelier grouping to perfectly complement residential, commercial, lounge and hospitality settings alike.

FIXTURE TYPE

Pendant

LIGHT SOURCE

E27-3000K PAR LED bulb

PRODUCT CODES

| | |
|------------------------------------|--------------------|
| Swell Single Narrow (White/Brass): | SWELNRW WHT/BRA_EU |
| Swell Single Narrow (Black/Brass): | SWELNRW BLK/BRA_EU |
| Swell Single Medium (White/Brass): | SWELMED WHT/BRA_EU |
| Swell Single Medium (Black/Brass): | SWELMED BLK/BRA_EU |
| Swell Single Wide (White/Brass): | SWELWID WHT/BRA_EU |
| Swell Single Wide (Black/Brass): | SWELWID BLK/BRA_EU |

LIGHT CONTROL

Hard-wired

ELV dimmer recommended

FEATURES

Fully dimmable

For indoor and outdoor use

Damp rated

Interchangeable shades

Dark Sky compliant

SPECIFICATIONS

Voltage: 120/220V 60Hz

Power consumption: 11W

Color temperature: 3000K

Luminosity: 800 Lumens

Luminaire efficacy: 73 Lumens/Watt

Color Rendition Index: 82 CRI

40K hour lifespan

Cord length: 10' (305cm)

2 year warranty

CERTIFICATIONS



PACKAGING WEIGHT AND DIMENSIONS

| | | |
|---------------|---------|---------------------|
| Swell Single: | 5.25LBS | 15.5" X 16" X 14.5" |
| | 2.4KGS | 39cm X 41cm X 37cm |

NOTES

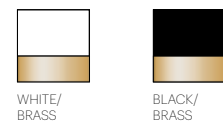
Custom requests can be considered on volume orders

Clear anodized aluminum finish available on special orders

Additional colorways can be ordered upon request

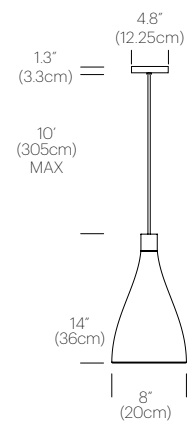


FINISHES

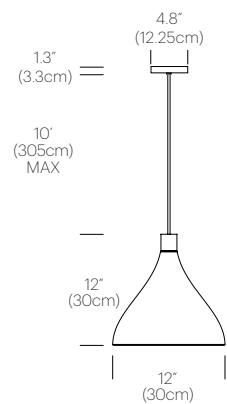


DIMENSIONS

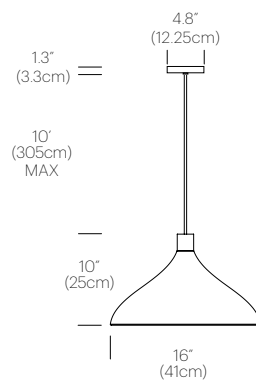
SWELL SINGLE NARROW



SWELL SINGLE MEDIUM



SWELL SINGLE WIDE



SWELL CHANDELIER

DESCRIPTION

Elegant with undulating contours, Swell Chandelier is an LED chandelier designed to seamlessly blend the line between indoor and outdoor lighting. Swell Chandelier is available in groupings of 3 and 6 lamps, creating a dramatic and personal grouping to fit any environment.

FIXTURE TYPE

Pendant

LIGHT SOURCE

E27-3000K PAR LED bulb

PRODUCT CODES

| | |
|------------------------------------|---------------------|
| Swell Single Narrow (White/Brass): | SWEL NRW WHT/BRA_EU |
| Swell Single Narrow (Black/Brass): | SWEL NRW BLK/BRA_EU |
| Swell Single Medium (White/Brass): | SWEL MED WHT/BRA_EU |
| Swell Single Medium (Black/Brass): | SWEL MED BLK/BRA_EU |
| Swell Single Wide (White/Brass): | SWEL WID WHT/BRA_EU |
| Swell Single Wide (Black/Brass): | SWEL WID BLK/BRA_EU |
| 17" Chandelier Canopy: | CHND CAN 17_EU |
| 26" Chandelier Canopy: | CHND CAN 26_EU |

LIGHT CONTROL

Hard-wired

ELV dimmer recommended

FEATURES

Fully dimmable

For indoor and outdoor use

Damp rated

Interchangeable shades

Dark Sky compliant

SPECIFICATIONS

Voltage: 120/220V 60Hz

Power consumption: 11W per lamp

Color temperature: 3000K

Luminosity: 800 Lumens per lamp

Luminaire efficacy: 73 Lumens/Watt

Color Rendition Index: 82 CRI

40K hour lifespan

Cord length: 10' (305cm)

2 year warranty

CERTIFICATIONS



PACKAGING WEIGHT AND DIMENSIONS

| | | |
|------------------------|---------|---------------------|
| Swell Single: | 5.25LBS | 15.5" X 16" X 14.5" |
| | 2.4KGS | 39cm X 41cm X 37cm |
| Chandelier canopy 26": | 30LBS | 32" X 32" X 6" |
| | 13.6KGS | 81cm X 81cm X 15cm |
| Chandelier canopy 17": | 15LBS | 22" X 22" X 6" |
| | 6.8KGS | 56cm X 56cm X 15cm |

NOTES

Custom requests can be considered on volume orders

Clear anodized aluminum finish available on special orders

Additional colorways can be ordered upon request

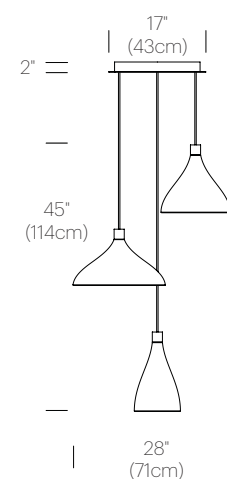


FINISHES

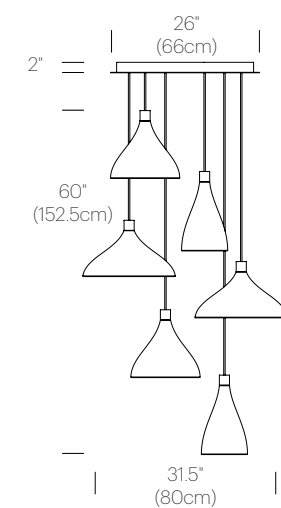


DIMENSIONS

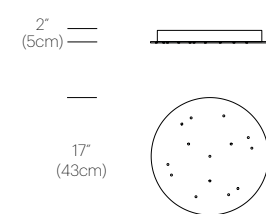
SWELL CHANDELIER 3



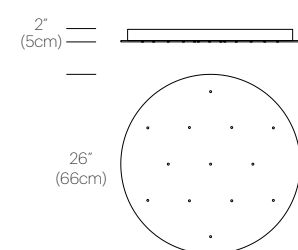
SWELL CHANDELIER 6



CHANDELIER CANOPY 17"



CHANDELIER CANOPY 26"



UMA

The revolutionary UMA Sound Lantern redefines the portable lantern for the modern age. Fusing state-of-the-art Warm Dim LED technology with 360° high fidelity surround sound, UMA provides a one of a kind portable light + sound experience, integrated seamlessly into a strikingly elegant design. Uma pairs touch sensitive volume control with an intuitive full-range light control dial and features Bluetooth connectivity to stream the highest quality audio wirelessly from any mobile device. A premium leather strap allows for easy portability, and a protective jacket allows UMA to go anywhere you want to go. Invoking the primal symbol of the lantern and the warmth of a campfire, UMA is the perfect centerpiece for social gatherings and intimate moments indoor and out.

Designer:
Carmine Deganello, Pablo Pardo + Pablo Studio 2015

Awards:
[2016 AZURE Magazine People's Choice Award](#)
[2016 Good Design Award Australia](#)
[2017 German Design Award](#)



UMA SOUND LANTERN

DESCRIPTION

The revolutionary UMA Sound Lantern redefines the portable lantern for the modern age. Fusing state-of-the-art Warm Dim LED technology with 360° high fidelity surround sound, UMA provides a one of a kind portable light + sound experience, integrated seamlessly into a strikingly elegant design. Uma pairs touch sensitive volume control with an intuitive full-range light control dial and features Bluetooth connectivity to stream the highest quality audio wirelessly from any mobile device. A premium leather strap allows for easy portability, and a protective jacket allows UMA to go anywhere you want to go. Invoking the primal symbol of the lantern and the warmth of a campfire, UMA is the perfect centerpiece for social gatherings and intimate moments indoor and out.

FIXTURE TYPE

Table

LIGHT SOURCE

(60x) High-output LED array

PRODUCT CODES

| | |
|-----|---------------|
| Uma | UMA AL/TAN_EU |
|-----|---------------|

LIGHT CONTROL

Warm-dim light control ring

FEATURES

- Portable and rechargeable
- Full range dim control
- Rich 360 degree sound
- Bluetooth connectivity
- Warm dimming technology
- Optional surface mount available

SPECIFICATIONS

- Voltage: 100/240V 50/60Hz
- Power consumption: 4.5W (light) 12W MAX (speakers)
- Color temperature: 2000-2700K
- Luminosity: 190 Lumens MAX
- Luminaire efficacy: 42 Lumens/Watt
- Charging time: Up to 3.5 hours
- Battery life: Up to 8 hours
- Power cord length: 6' (183cm)
- Global multi-plug adapter available
- 2 year warranty
- Patent pending

CERTIFICATIONS

TUV, CE, FCC, RoHS

PACKAGING WEIGHT AND DIMENSIONS

| | | |
|------|--------|----------------------|
| UMA: | 3LBS | 6" X 6" X 11" |
| | 1.4KGS | 16cm X 16cm X 15.4cm |

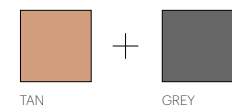
NOTES

Custom requests can be considered on volume orders



FINISHES

LEATHER STRAP COLORS



TAN

GREY

BASE AND TOP RING FINISH

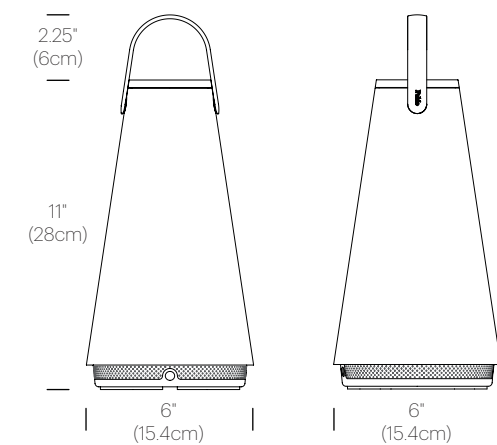


SILVER

NOTE: UMA SHIPS WITH BOTH A TAN AND A GREY LEATHER STRAP

DIMENSIONS

UMA





EU DISTRIBUTORS

XXXXXXXXXX
XXXXXXXXXX
XXXXXXXXXX
XXXXXXXXXX
XXXXXXXXXX
XXXXXXXXXX
XXXXXXXXXX

XXXXXXXXXX
XXXXXXXXXX
XXXXXXXXXX
XXXXXXXXXX
XXXXXXXXXX
XXXXXXXXXX
XXXXXXXXXX